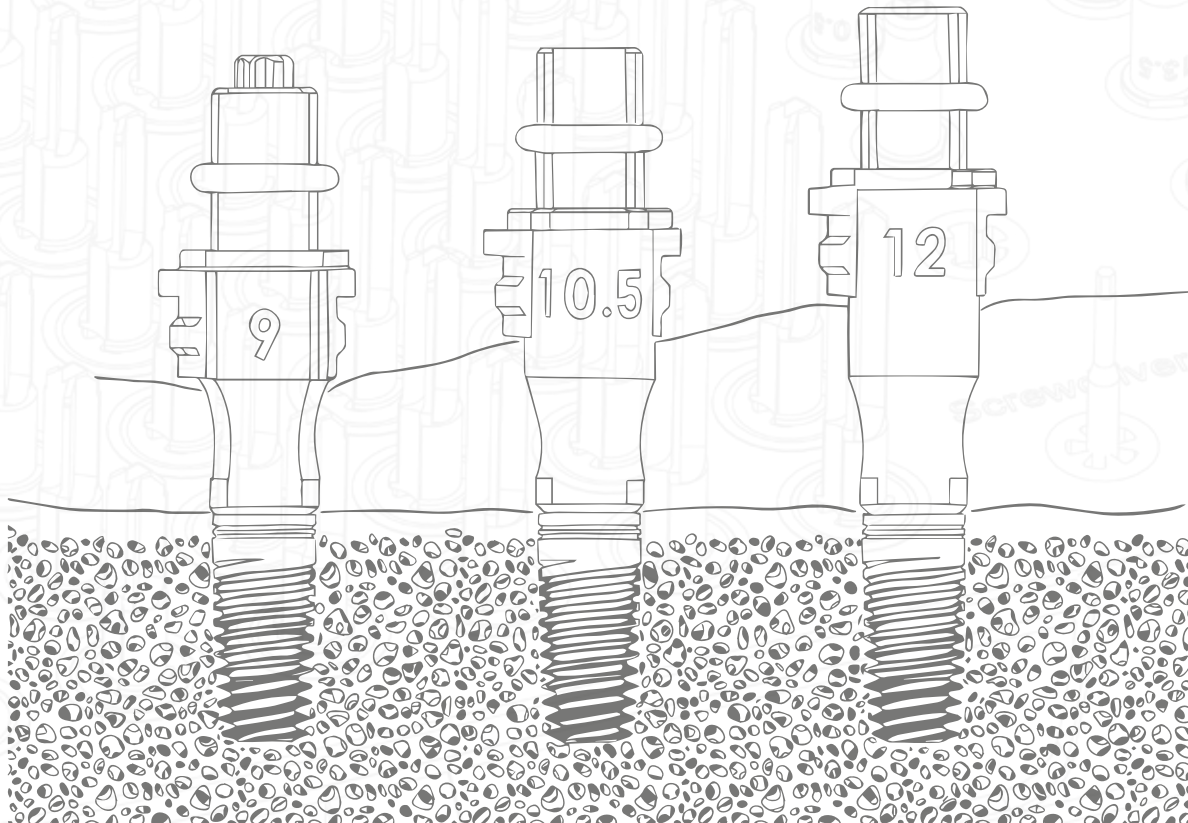


DYNAMIC ABUTMENT SOLUTIONS

GUIDED | KIT

DAS SURGICAL

WORK OFFSETS BY COMPATIBILITY





DYNAMIC ABUTMENT® SOLUTIONS

VIRGINIA WOOLF, 17 · 25005 · LLEIDA (SPAIN)

INTERNATIONAL +34 873 450 709

das@dynamicabutment.com

SPAIN +34 973 289 580

spain@dynamicabutment.com

Dynamic Abutment® Solutions is a trademark of the manufacturer Talladium España S.L

The information included in this catalogue is exclusively addressed to professionals in dental sector.

All commercial trademarks mentioned herein are fully registered by their respective companies, and the images that appear are just to provide an orientation.

Talladium reserves the right to modify this document without previous notice.

Talladium is not responsible for the inadequate execution of these products if the warning indications corresponding to every reference are not contemplated.

Request information on sales license and certificates according to the country of sale: das@dynamicabutment.com

INDEX

3	<i>ALPHABIO INTERNAL HEX CONNECTION (IH) - NEO/MULTINEO/SPIRAL/DFI/ATID/ICE</i>
11	<i>CORTEX INTERNAL HEX - DYNAMIX/CLASSIX</i>
17	<i>DIO - UF II REGULAR</i>
27	<i>HIOSSSEN - ET SYSTEM</i>
35	<i>MIS INTERNAL HEXAGON - SEVEN/M4</i>
41	<i>NEOBIOTECH - IS SYSTEM</i>
47	<i>NOBEL BIOCARE - ACTIVE/PARALLEL CONICAL CONNECTION/REPLACE CONICAL CONNECTION</i>
57	<i>OSSTEM - TS SYSTEM</i>
63	<i>PALTOP IH - ADVANCED/ADVANCED +/DYNAMIC/ACTIVE</i>

REMARK: THERE ARE HERE SOME COMPATIBILITIES AS EXAMPLE.
Ask for other connections through e-mail das@dynamicabutment.com

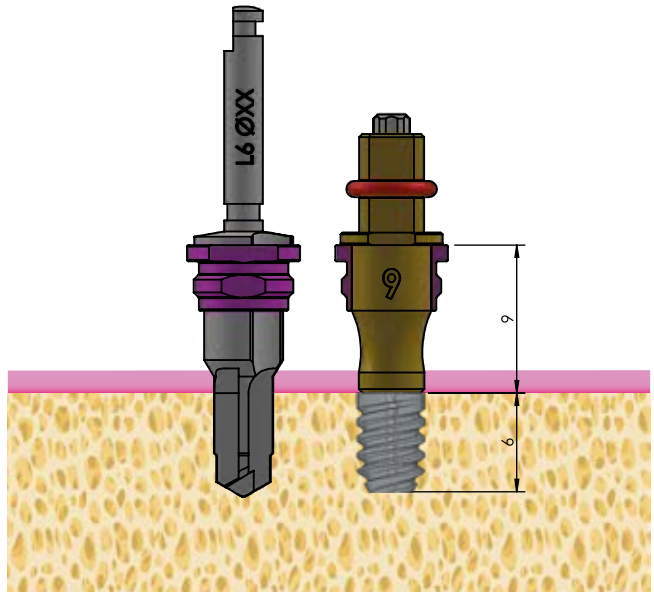
ALPHABIO INTERNAL HEX CONNECTION (IH) - NEO/MULTINEO/SPIRAL/DFI/ATID/ICE

Implant Length (mm)	Mount (mm)	Depth (mm)	Drill Length (mm)
6	9	0	6
8	9.5	0 - 0.5	8.5
	12.5	0 - 3	11.5
10	9	0	10
	10.5	0 - 1.5	11.5
	12	0 - 3	13
11.5	9	0	11.5
	10.5	0 - 1.5	13
	13.5	0 - 3	16
13	9	0	13
	12	0 - 3	16
16	9	0	16
	12	0 - 3	19

Alphabio Internal Hex Connection (IH)		
Model	∅ Implant (mm)	Implant Length (mm)
NEO/MULTINEO	3.75	8/10/11.5/13/16
	4.2	8/10/11.5/13/16
SPIRAL	3.3	8/10/11.5/13/16
	3.75	8/10/11.5/13/16
	4.2	8/10/11.5/13/16
DFI	3.3	8/10/11.5/13/16
	3.75	8/10/11.5/13/16
	4.2	8/10/11.5/13/16
ATID	3.3	8/10/11.5/13/16
	3.75	8/10/11.5/13/16
	4.2	8/10/11.5/13/16
ICE	3.7N	10/11.5/13
	3.75	8/10/11.5/13/16
	4.2	6/8/10/11.5/13/16
	4.65	6/8/10/11.5/13

DAS_0040_B2

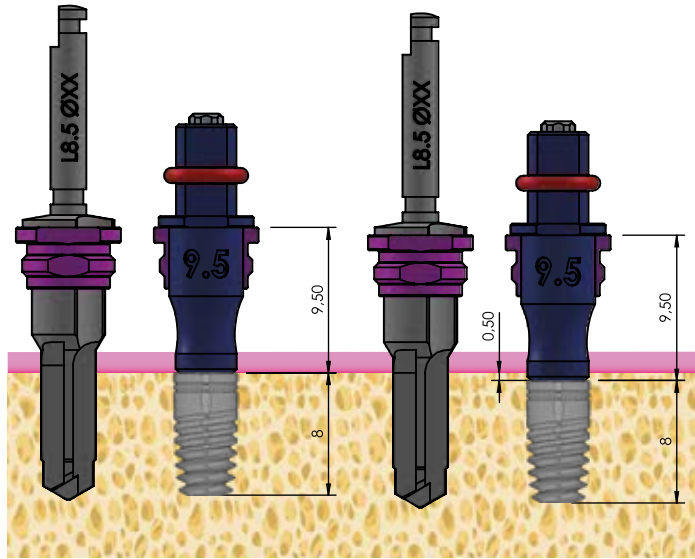
IMPLANT LENGTH 6 mm



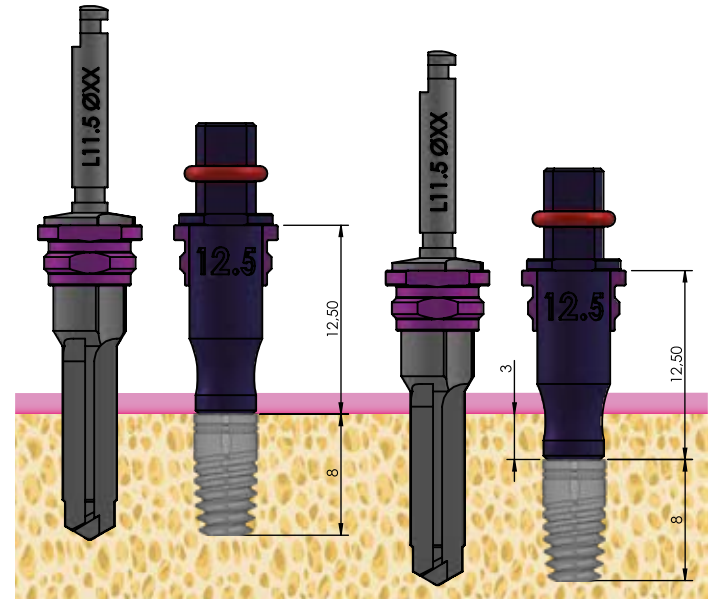
Implant Length (mm)	Mounter (mm)	Depth (mm)	Drill Length (mm)
6	9	0	6

Ø XX = Ø Drill

IMPLANT LENGTH 8 mm



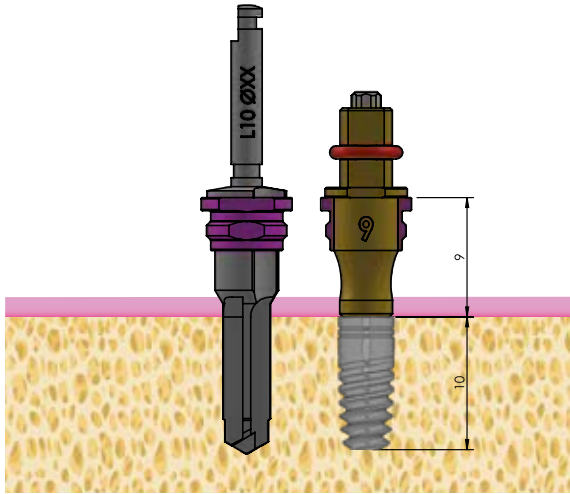
Implant Length (mm)	Moulder (mm)	Depth (mm)	Drill Length (mm)
8	9.5	0 - 0.5	8.5



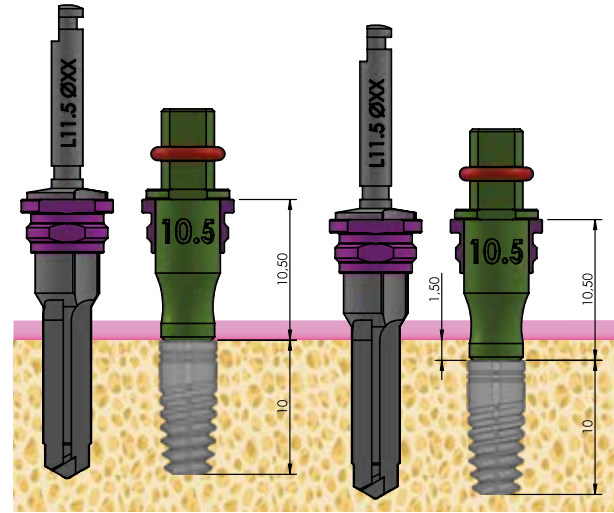
Implant Length (mm)	Moulder (mm)	Depth (mm)	Drill Length (mm)
8	12.5	0 - 3	11.5

Ø XX = Ø Drill

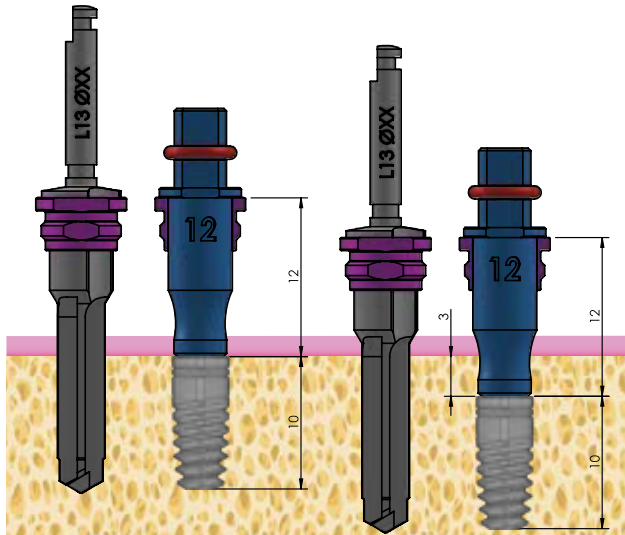
IMPLANT LENGTH 10 mm



Implant Length (mm)	Mounter (mm)	Depth (mm)	Drill Length (mm)
10	9	0	10



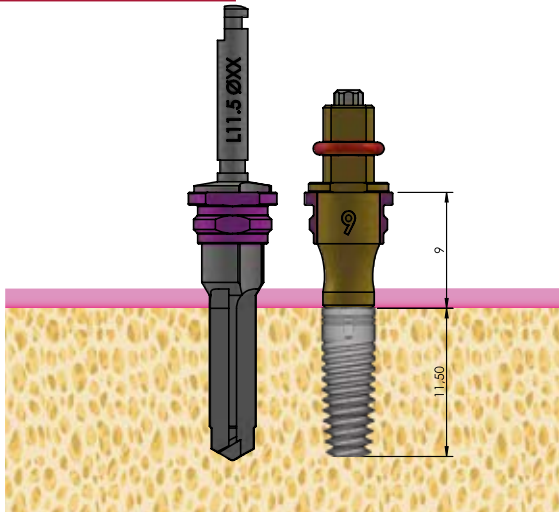
Implant Length (mm)	Mounter (mm)	Depth (mm)	Drill Length (mm)
10	10.5	0 - 1.5	11.5



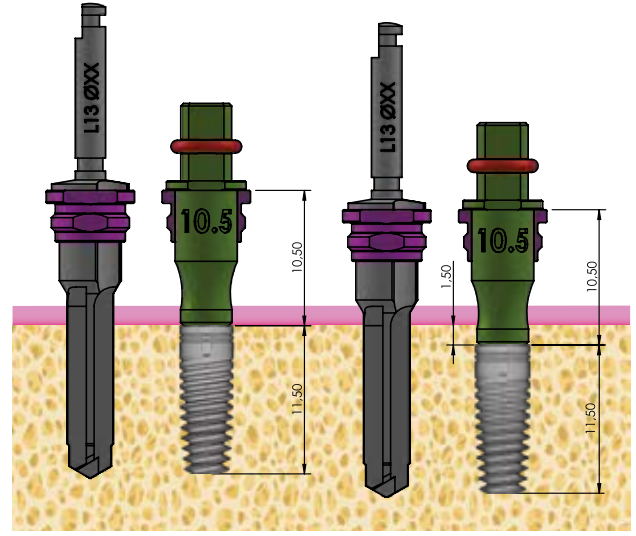
Implant Length (mm)	Mounter (mm)	Depth (mm)	Drill Length (mm)
10	12	0 - 3	13

Ø XX = Ø Drill

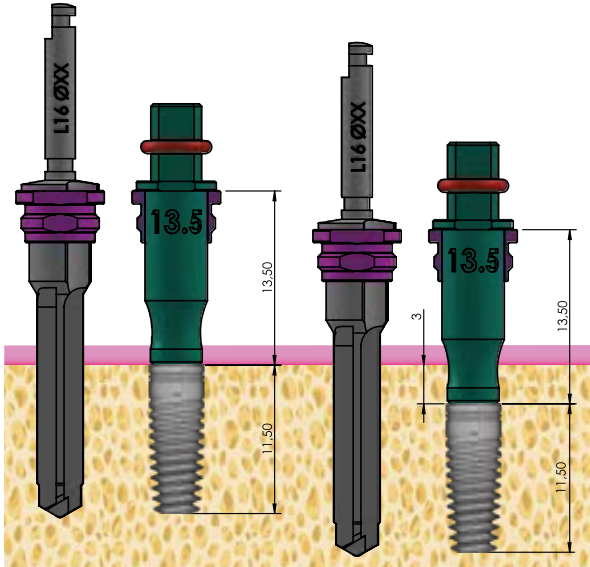
IMPLANT LENGTH 11.5 mm



Implant Length (mm)	Mounter (mm)	Depth (mm)	Drill Length (mm)
11.5	9	0	11.5



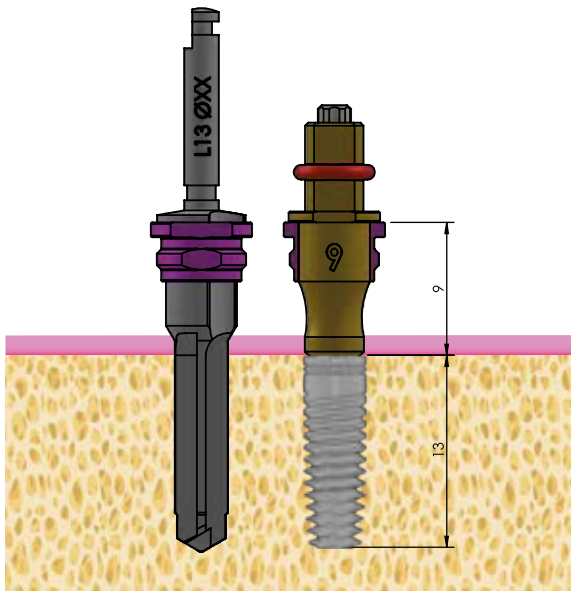
Implant Length (mm)	Mounter (mm)	Depth (mm)	Drill Length (mm)
11.5	10.5	0 - 1.5	13



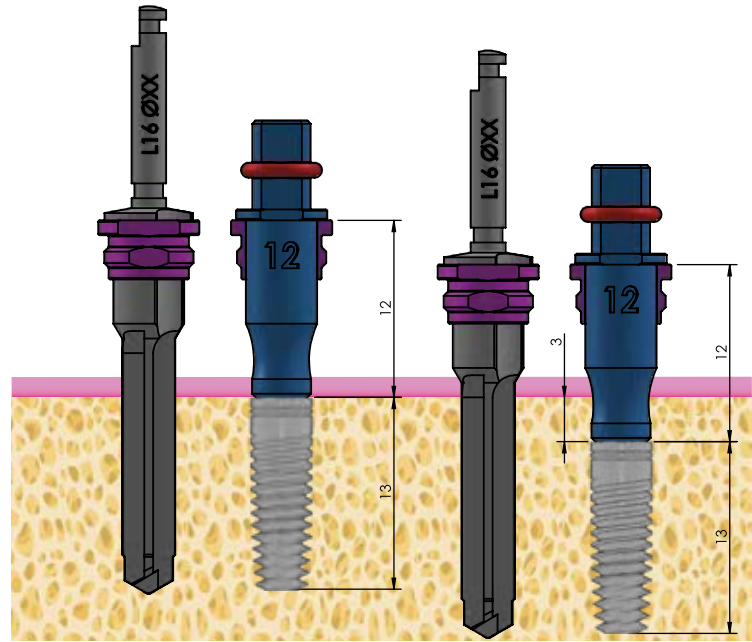
Implant Length (mm)	Mounter (mm)	Depth (mm)	Drill Length (mm)
11.5	13.5	0 - 3	16

Ø XX = Ø Drill

IMPLANT LENGTH 13 mm



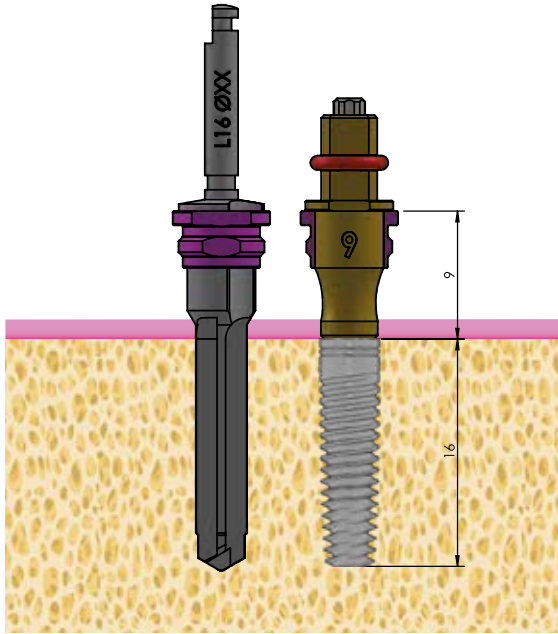
Implant Length (mm)	Moulder (mm)	Depth (mm)	Drill Length (mm)
13	9	0	13



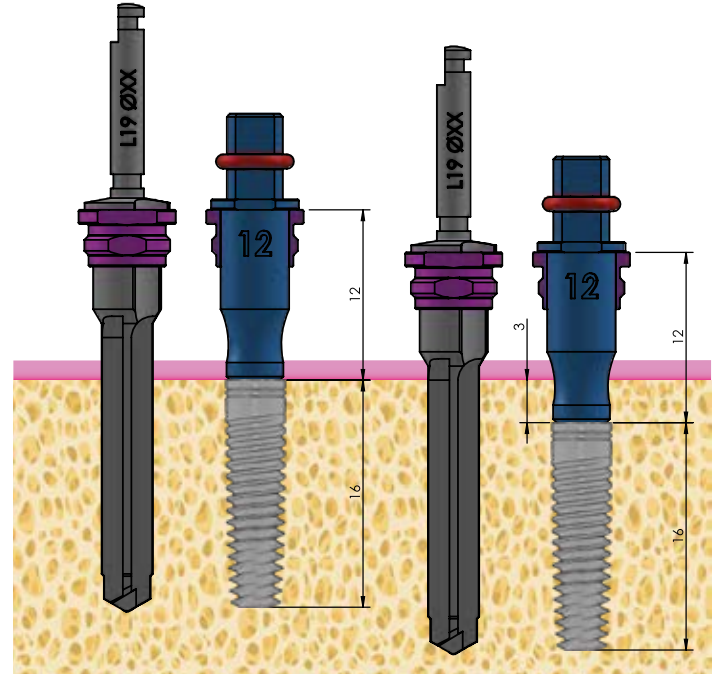
Implant Length (mm)	Moulder (mm)	Depth (mm)	Drill Length (mm)
13	12	0 - 3	16

Ø XX = Ø Drill

IMPLANT LENGTH 16 mm



Implant Length (mm)	Mounter (mm)	Depth(mm)	Drill Length (mm)
16	9	0	16



Implant Length (mm)	Mounter (mm)	Depth (mm)	Drill Length (mm)
16	12	0 - 3	19

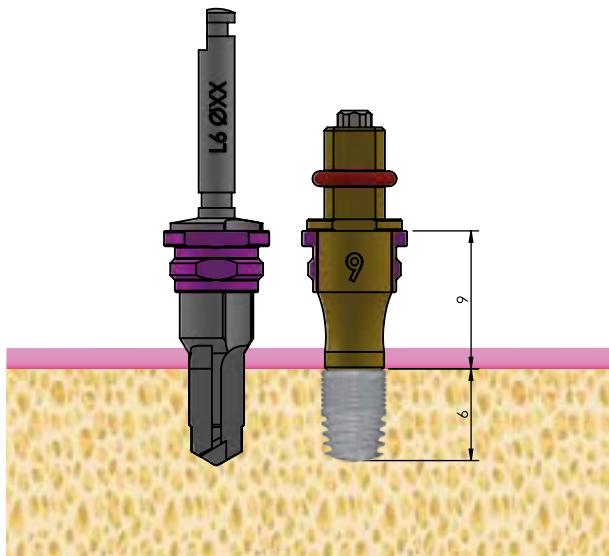
Ø XX = Ø Drill

CORTEX INTERNAL HEX - DYNAMIX/CLASSIX

Implant Length (mm)	Mount (mm)	Depth (mm)	Drill Length (mm)
6	9	0	6
8	9.5	0 - 0.5	8.5
10	9	0	10
	10.5	0 - 1.5	11.5
	12	0 - 3	13
11.5	9	0	11.5
	10.5	0 - 1.5	13
	13.5	0 - 3	16
13	9	0	13
	12	0 - 3	16
16	9	0	16
	12	0 - 3	19

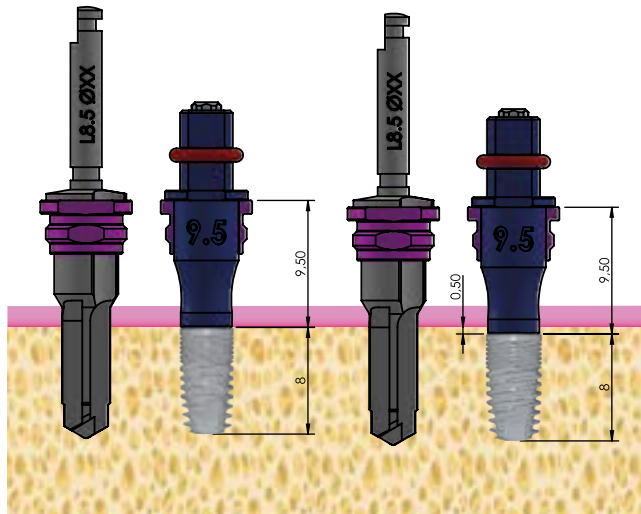
Cortex		
Model	∅ Implant (mm)	Implant Length (mm)
Dynamix	3.3	10/11.5/13/16
	3.8	8/10/11.5/13/16
	4.2	6/8/10/11.5/13/16
Classix	3.3	10/11.5/13/16
	3.8	8/10/11.5/13/16
	4.2	6/8/10/11.5/13/16

IMPLANT LENGTH 6 mm



Implant Length (mm)	Mouter (mm)	Depth (mm)	Drill Length (mm)
6	9	0	6

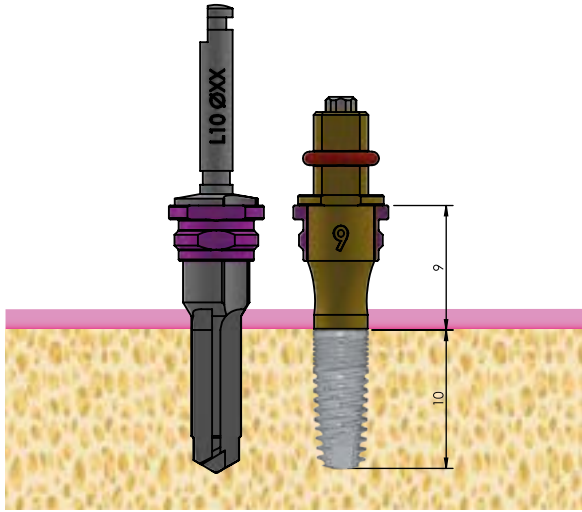
IMPLANT LENGTH 8 mm



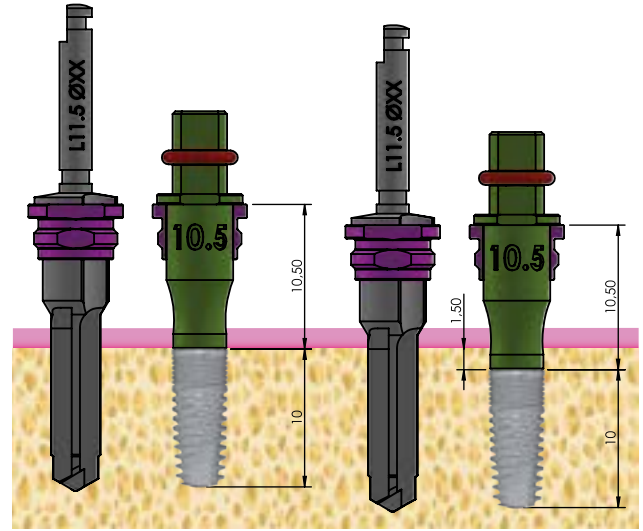
Implant Length (mm)	Mouter (mm)	Depth (mm)	Drill Length (mm)
8	9.5	0 - 0.5	8.5

Ø XX = Ø Drill

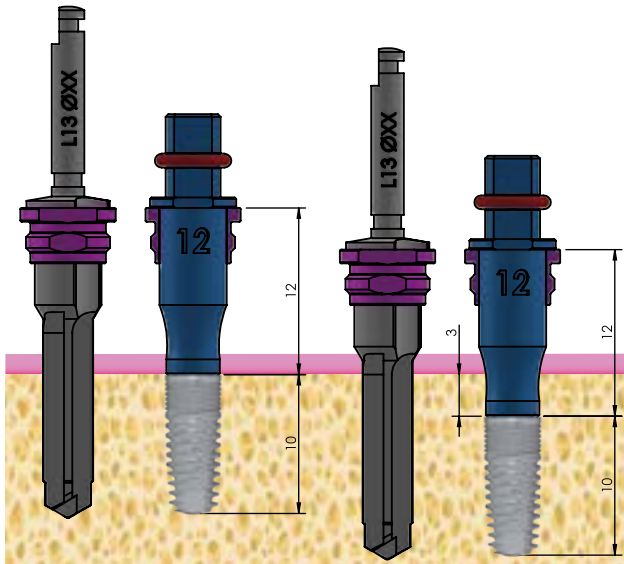
IMPLANT LENGTH 10 mm



Implant Length (mm)	Moulder (mm)	Depth (mm)	Drill Length (mm)
10	9	0	10



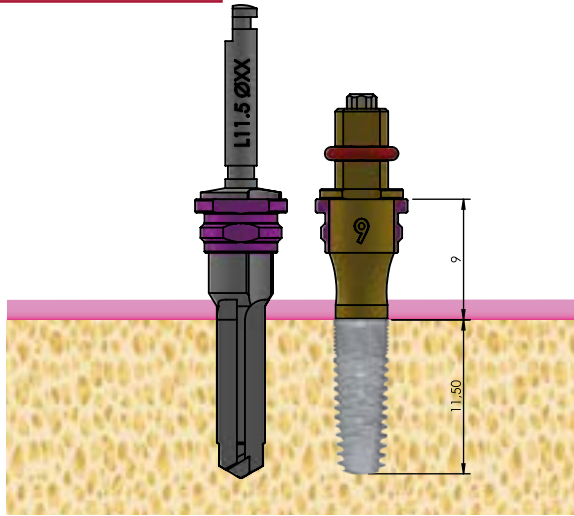
Implant Length (mm)	Moulder (mm)	Depth (mm)	Drill Length (mm)
10	10.5	0 - 1.5	11.5



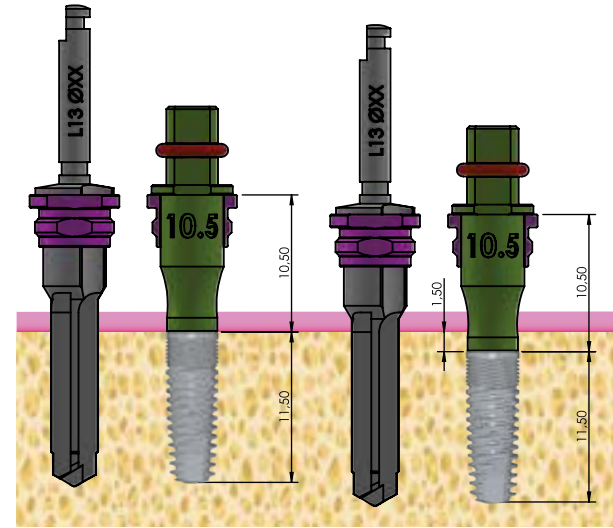
Implant Length (mm)	Moulder (mm)	Depth (mm)	Drill Length (mm)
10	12	0 - 3	13

Ø XX = Ø Drill

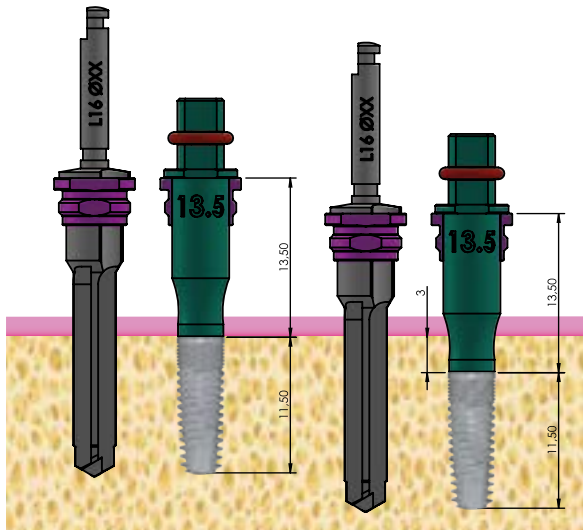
IMPLANT LENGTH 11.5 mm



Implant Length (mm)	Moulder (mm)	Depth (mm)	Drill Length (mm)
11.5	9	0	11.5



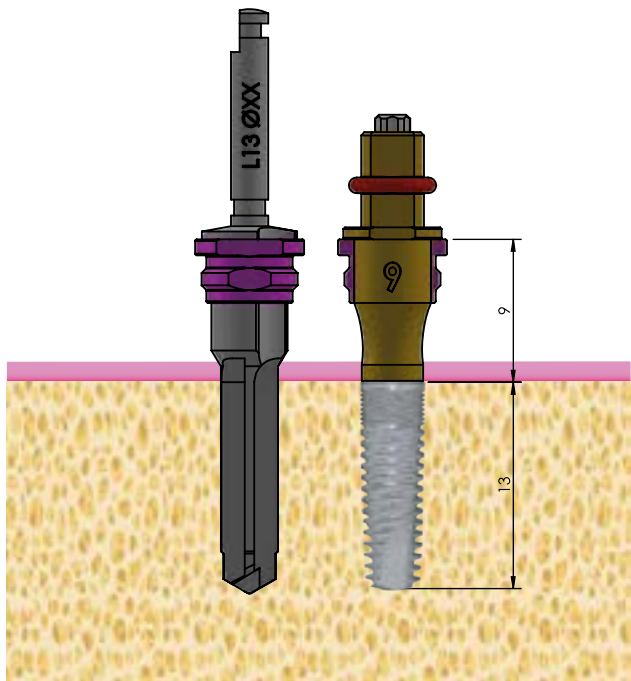
Implant Length (mm)	Moulder (mm)	Depth (mm)	Drill Length (mm)
11.5	10.5	0 - 1.5	13



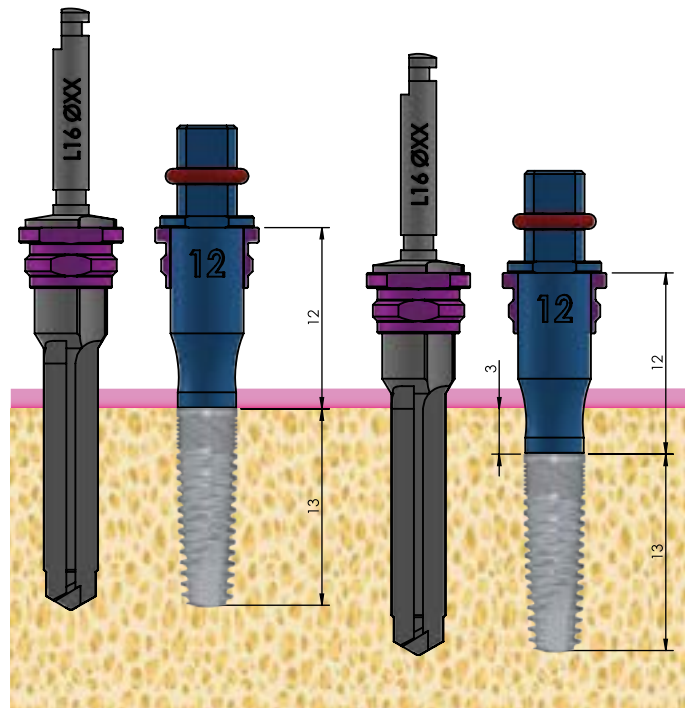
Implant Length (mm)	Moulder (mm)	Depth (mm)	Drill Length (mm)
11.5	13.5	0 - 3	16

Ø XX = Ø Drill

IMPLANT LENGTH 13 mm



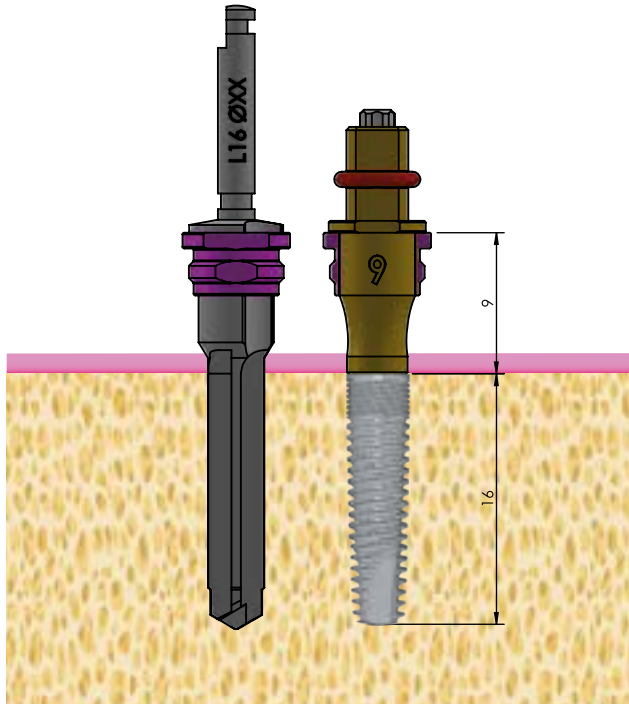
Implant Length (mm)	Moulder (mm)	Depth (mm)	Drill Length (mm)
13	9	0	13



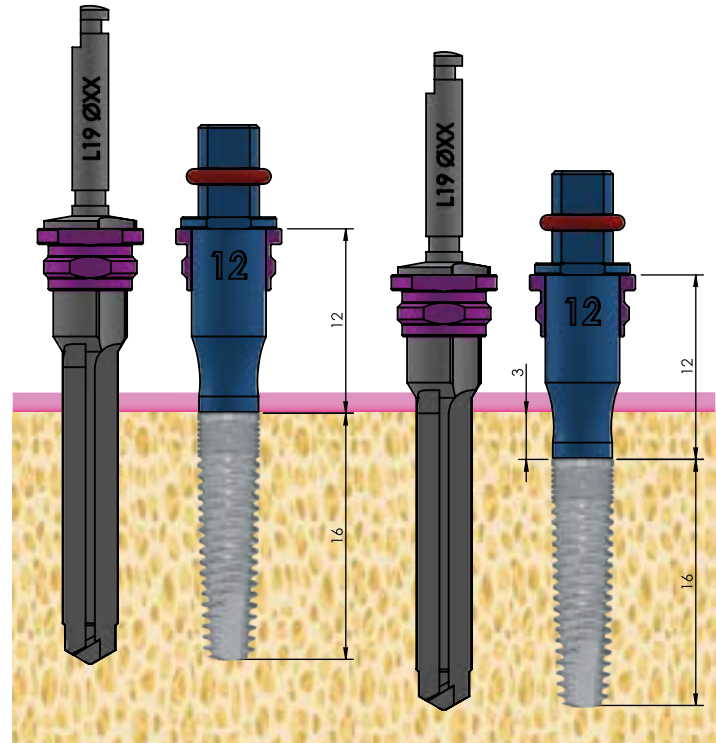
Implant Length (mm)	Moulder (mm)	Depth (mm)	Drill Length (mm)
13	12	0 - 3	16

Ø XX = Ø Drill

IMPLANT LENGTH 16 mm



Implant Length (mm)	Mounter (mm)	Depth (mm)	Drill Length (mm)
16	9	0	16



Implant Length (mm)	Mounter (mm)	Depth (mm)	Drill Length (mm)
16	12	0 - 3	19

Ø XX = Ø Drill

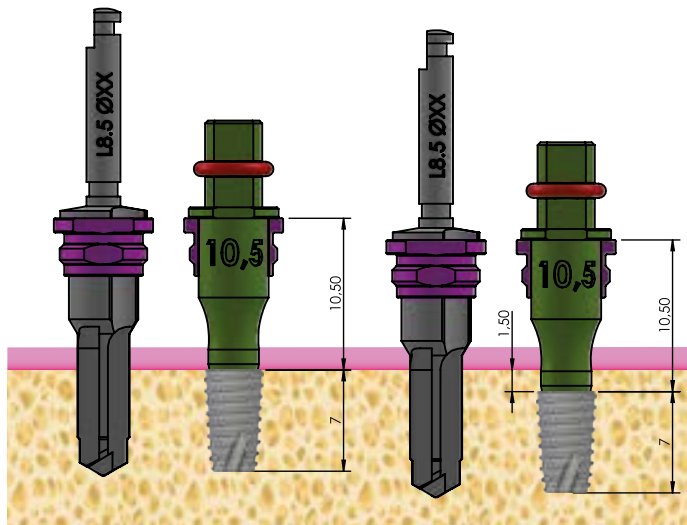
DIO - UF II REGULAR

Implant Length (mm)	Mount (mm)	Depth (mm)	Drill Length (mm)
7	10.5	0 - 1.5	8.5
	12	0 - 3	10
	13.5	0 - 3	11.5
8.5	9	0	8,5
	10.5	0 - 1.5	10
	12	0 - 3	11.5
	13.5	0 - 3	13
10	9	0	10
	10.5	0 - 1.5	11.5
	12	0 - 3	13
11.5	9	0	11.5
	10.5	0 - 1.5	13
	13.5	0 - 3	16
13	9	0	13
	12	0 - 3	16
15	10	0 - 1	16
16	9	0	16
	12	0 - 3	19
18	10	0 - 1	19

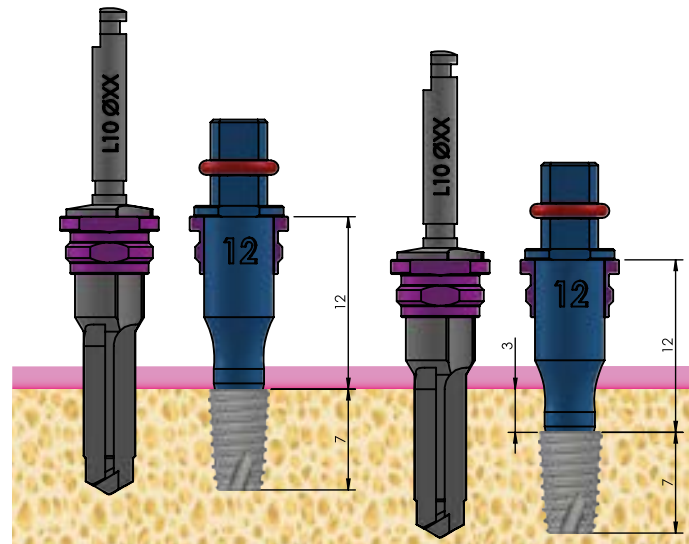
DIO		
Model	Ø Implant (mm)	Implant Length (mm)
UF II Regular	3.8	8.5/10/11.5/13/15/16/18
	4/4.5	7/8.5/10/11.5/13/15/16/18

DAS_0030_B1

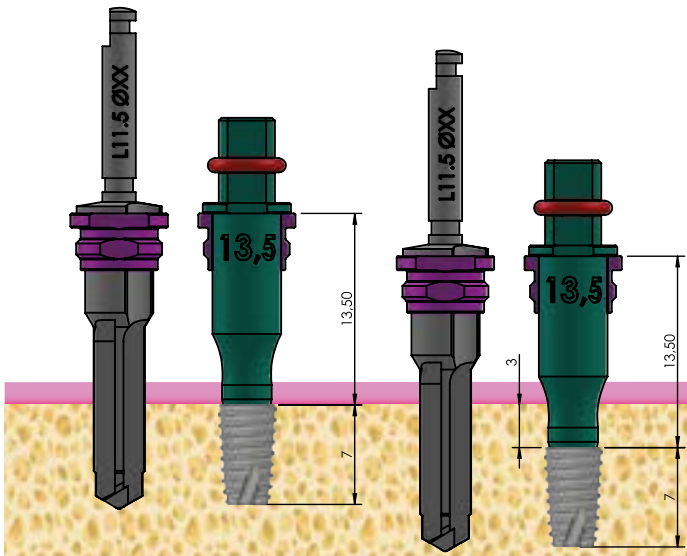
IMPLANT LENGTH 7 mm



Implant Length (mm)	Moulder (mm)	Depth (mm)	Drill Length (mm)
7	10.5	0 - 1.5	8.5



Implant Length (mm)	Moulder (mm)	Depth (mm)	Drill Length (mm)
7	12	0 - 3	10

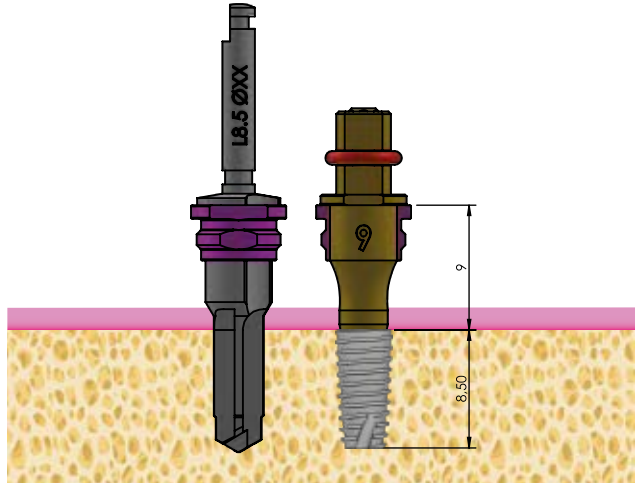


Implant Length (mm)	Moulder (mm)	Depth (mm)	Drill Length (mm)
7	13.5	0 - 3	11.5

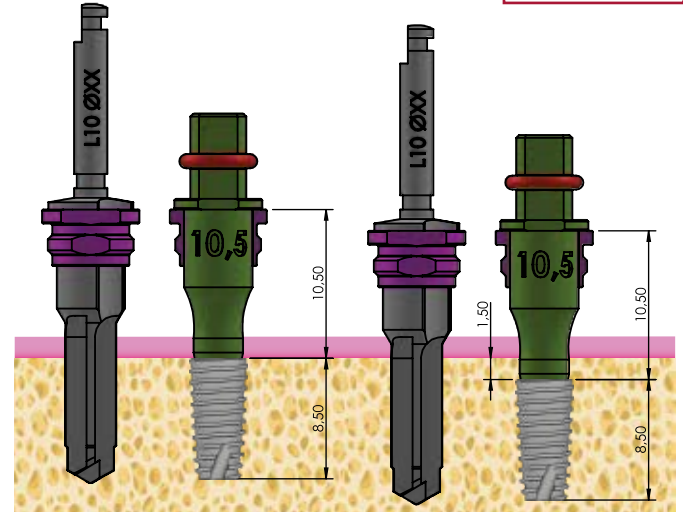
Ø XX = Ø Drill

IMPLANT LENGTH 8.5 mm

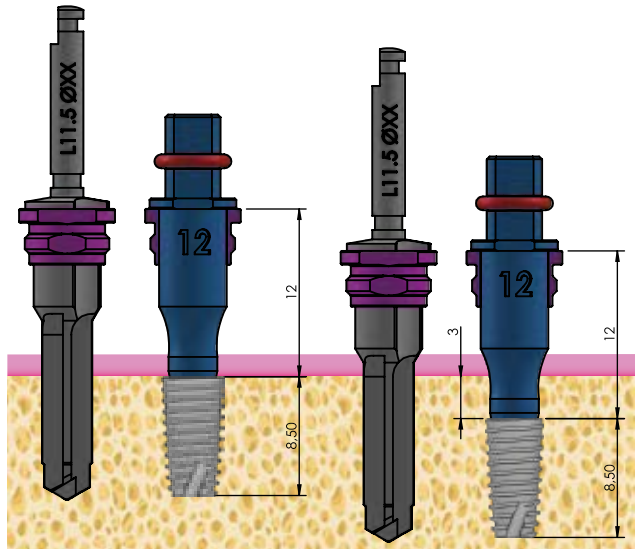
Ø XX = Ø Drill



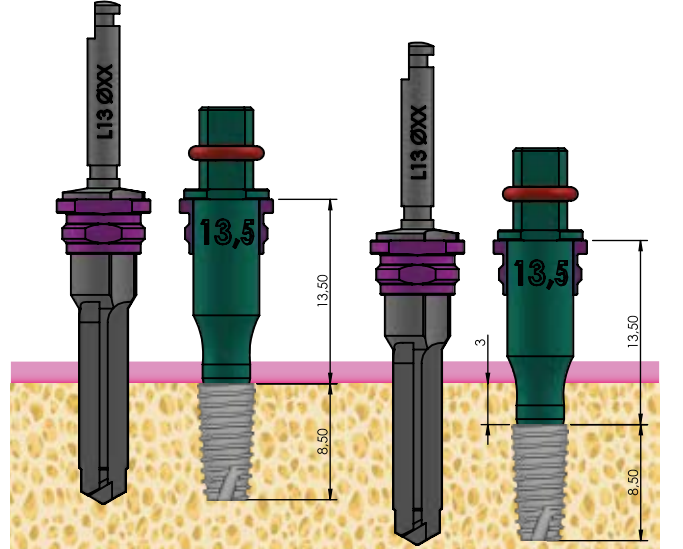
Implant Length (mm)	Mounter (mm)	Depth (mm)	Drill Length (mm)
8.5	9	0	8.5



Implant Length (mm)	Mounter (mm)	Depth (mm)	Drill Length (mm)
8.5	10.5	0 - 1.5	10

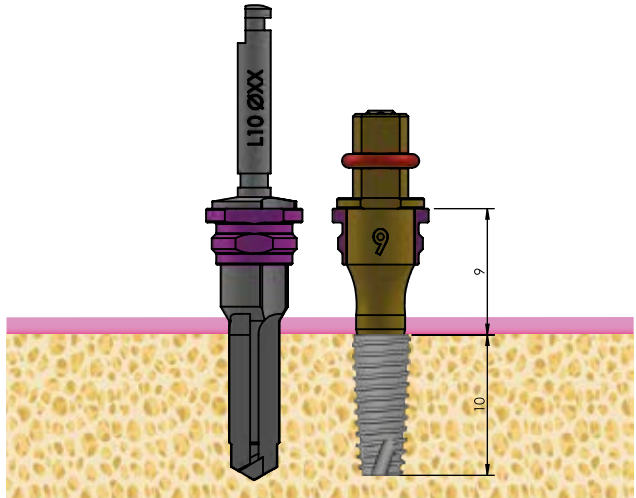


Implant Length (mm)	Mounter (mm)	Depth (mm)	Drill Length (mm)
8.5	12	0 - 3	11.5

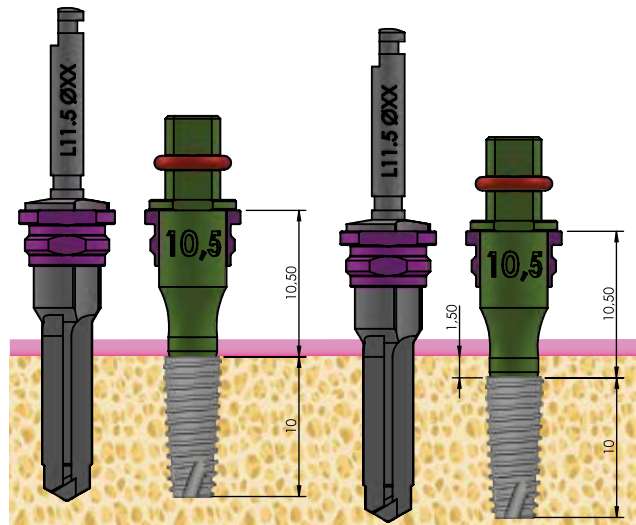


Implant Length (mm)	Mounter (mm)	Depth (mm)	Drill Length (mm)
8.5	13.5	0 - 3	13

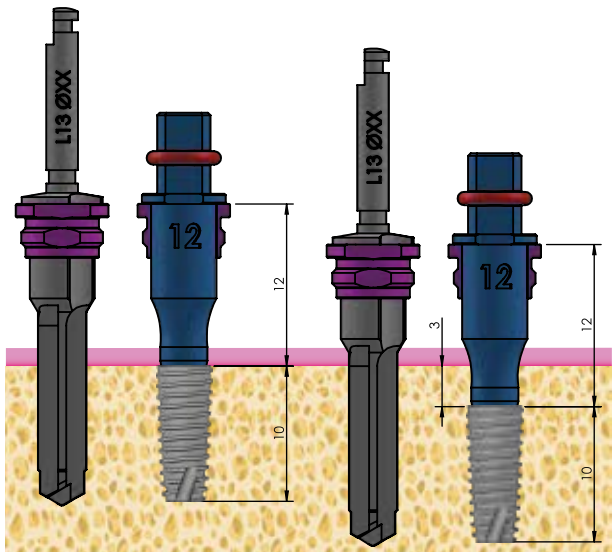
IMPLANT LENGTH 10 mm



Implant Length (mm)	Mounter (mm)	Depth (mm)	Drill Length (mm)
10	9	0	10



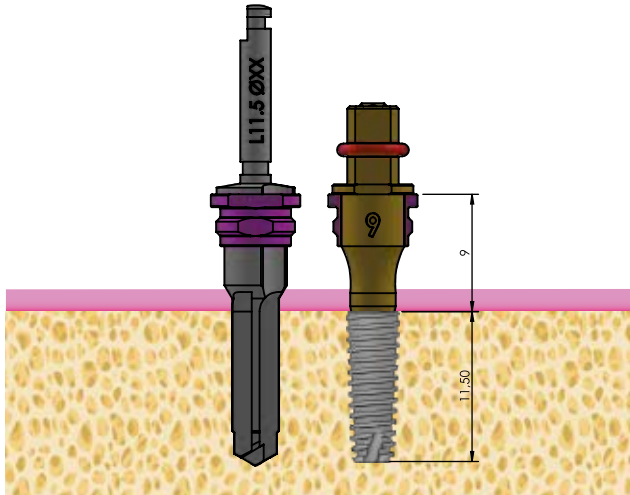
Implant Length (mm)	Mounter (mm)	Depth (mm)	Drill Length (mm)
10	10.5	0 - 1.5	11.5



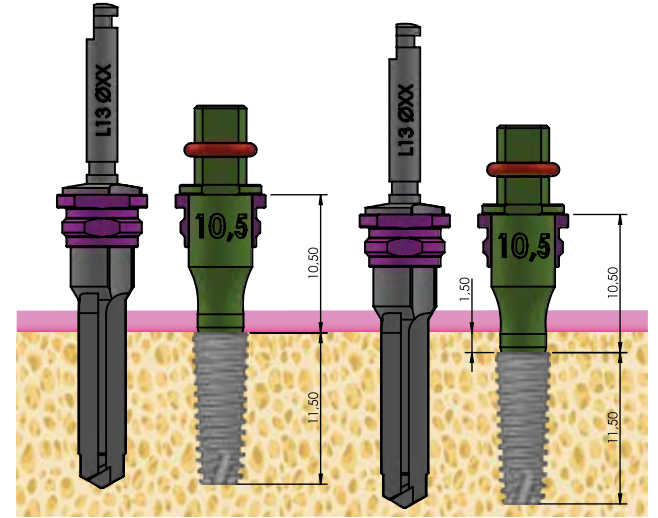
Implant Length (mm)	Mounter (mm)	Depth (mm)	Drill Length (mm)
10	12	0 - 3	13

ϕ XX = ϕ Drill

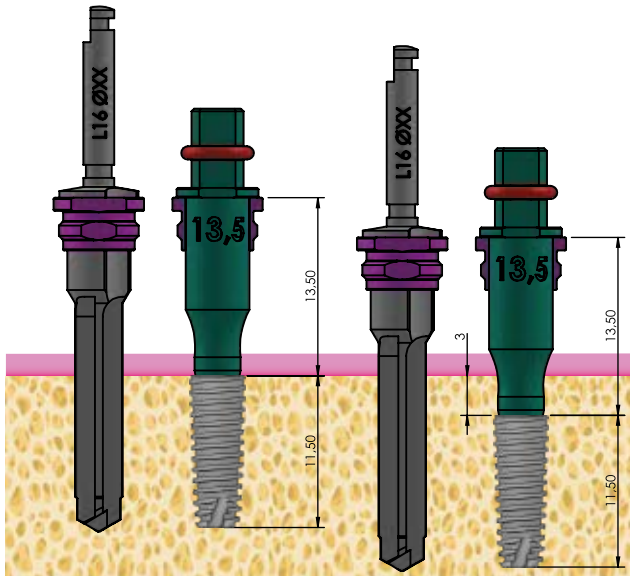
IMPLANT LENGTH 11.5 mm



Implant Length (mm)	Moulder (mm)	Depth (mm)	Drill Length (mm)
11.5	9	0	11.5



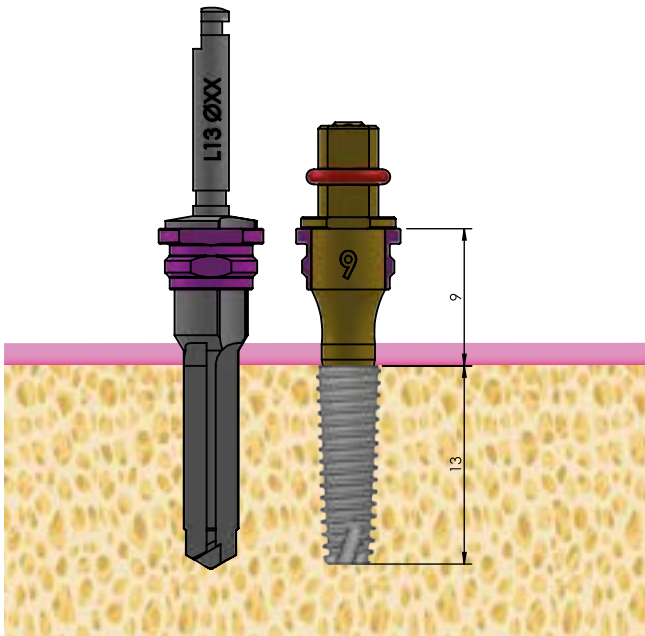
Implant Length (mm)	Moulder (mm)	Depth (mm)	Drill Length (mm)
11.5	10.5	0 - 1.5	13



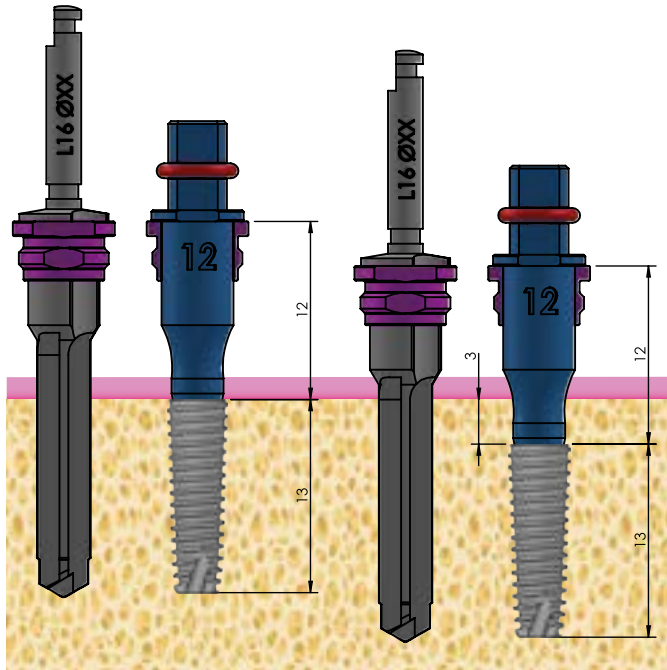
Implant Length (mm)	Moulder (mm)	Depth (mm)	Drill Length (mm)
11.5	13.5	0 - 3	16

Ø XX = Ø Drill

IMPLANT LENGTH 13 mm



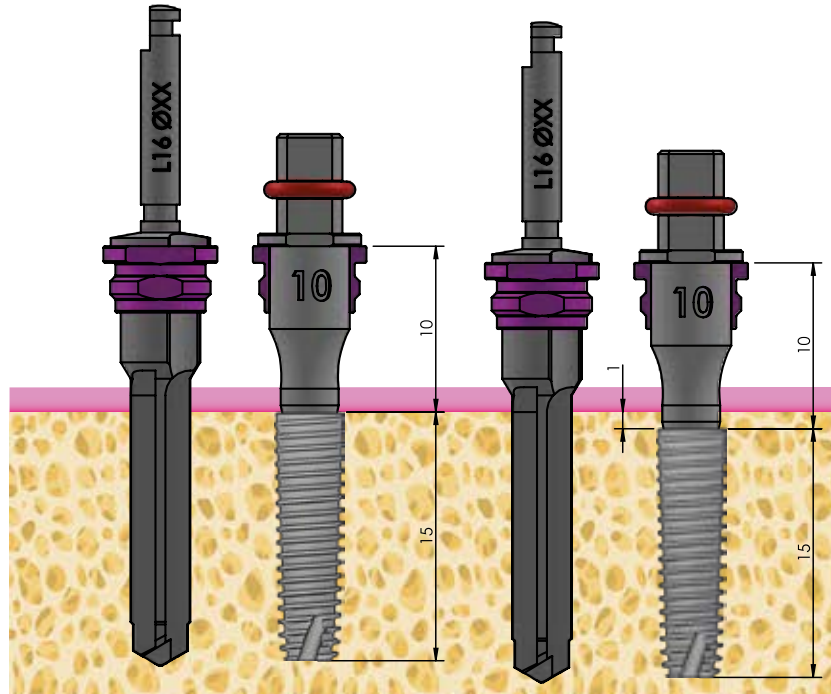
Implant Length (mm)	Moulder (mm)	Depth (mm)	Drill Length (mm)
13	9	0	13



Implant Length (mm)	Moulder (mm)	Depth (mm)	Drill Length (mm)
13	12	0 - 3	16

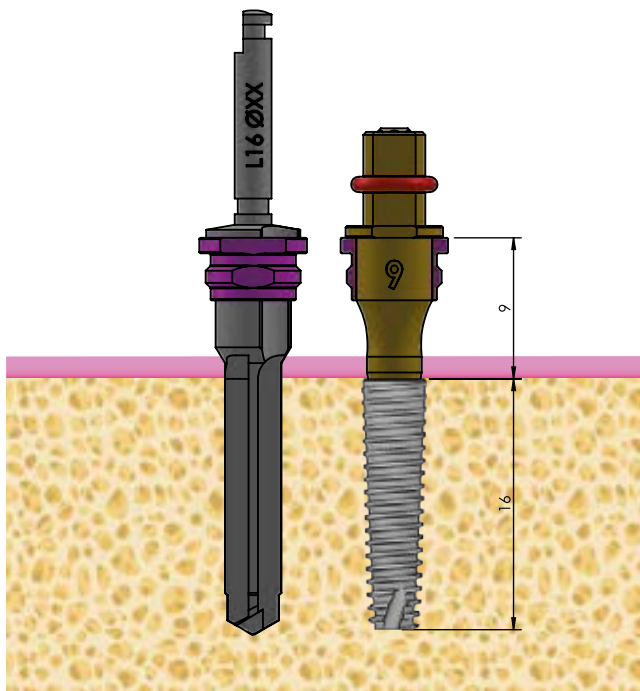
Ø XX = Ø Drill

IMPLANT LENGTH 15 mm

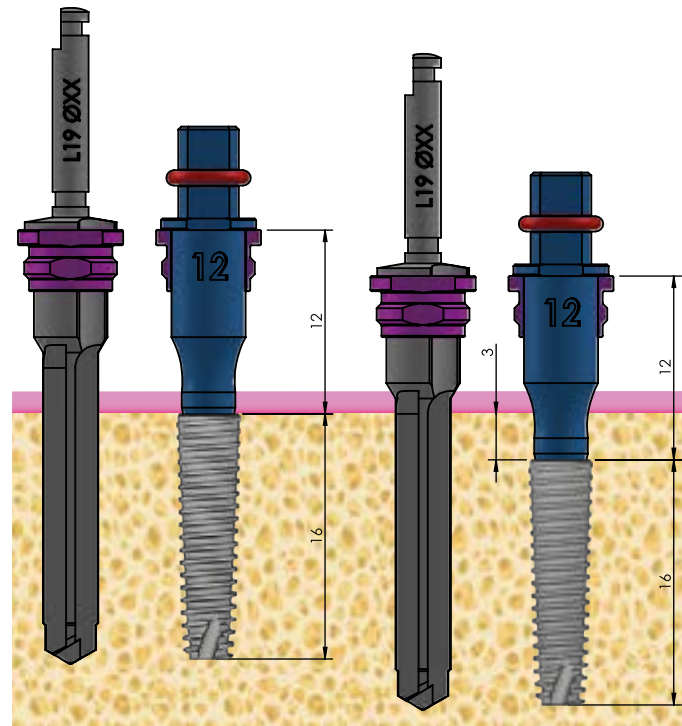


Implant Length (mm)	Mounter (mm)	Depth (mm)	Drill Length (mm)
15	10	0 - 1	16

IMPLANT LENGTH 16 mm



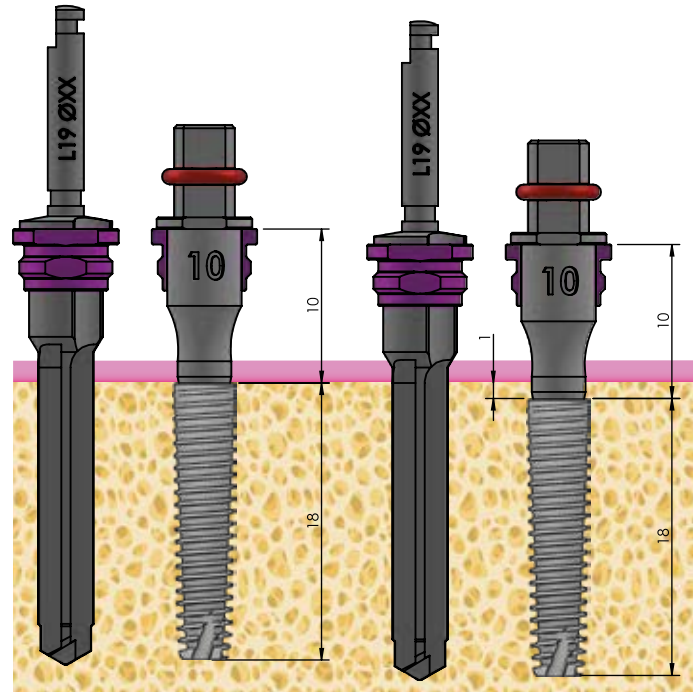
Implant Length (mm)	Mounter (mm)	Depth (mm)	Drill Length (mm)
16	9	0	16



Implant Length (mm)	Mounter (mm)	Depth (mm)	Drill Length (mm)
16	12	0 - 3	19

Ø XX = Ø Drill

IMPLANT LENGTH 18 mm



Implant Length (mm)	Mounter (mm)	Depth (mm)	Drill Length (mm)
18	10	0 - 1	19

Ø XX = Ø Drill

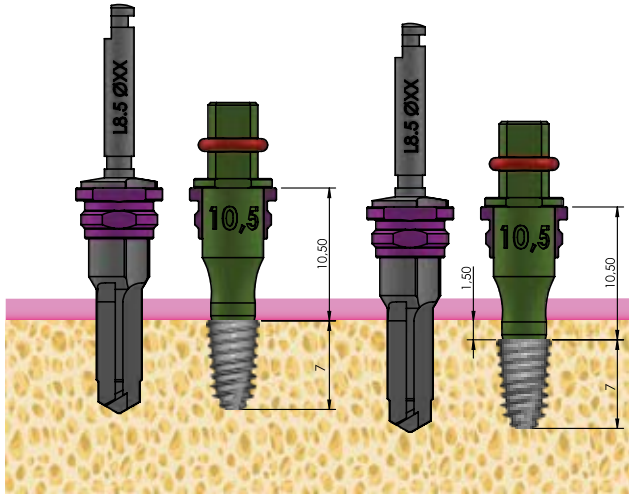
HIOSSEN - ET SYSTEM

Implant Length (mm)	Mount (mm)	Depth (mm)	Drill Length (mm)
7	10.5	0 - 1.5	8.5
	12	0 - 3	10
	13.5	0 - 3	11.5
8.5	9	0	8.5
	10.5	0 - 1.5	10
	12	0 - 3	11.5
	13.5	0 - 3	13
10	9	0	10
	10.5	0 - 1.5	11.5
	12	0 - 3	13
11.5	9	0	11.5
	10.5	0 - 1.5	13
	13.5	0 - 3	16
13	9	0	13
	12	0 - 3	16
15	10	0 - 1	16

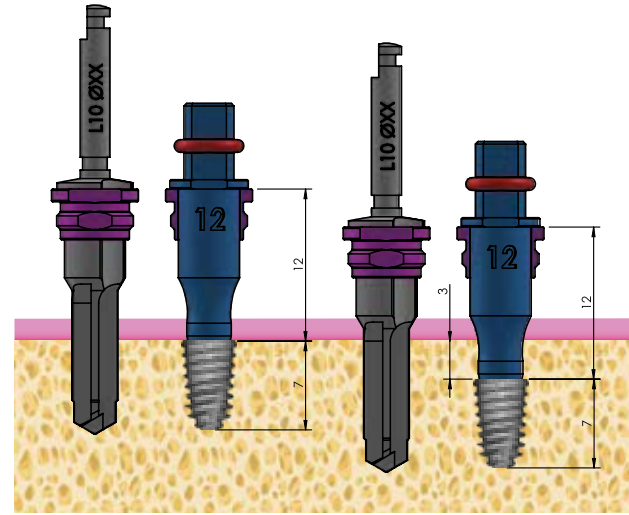
HIOSSEN ET SYSTEM	
Ø Implant (mm)	Implant Length (mm)
4/4.5	7/8.5/10/11.5/13/15

DAS_0030_B1

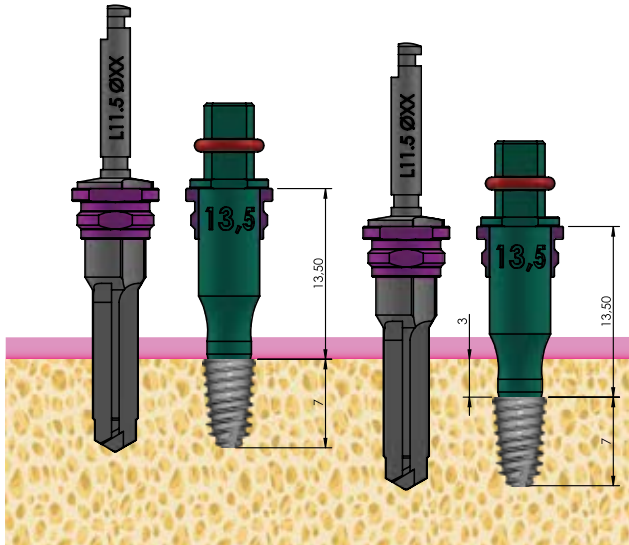
IMPLANT LENGTH 7 mm



Implant Length (mm)	Moulder (mm)	Depth (mm)	Drill Length (mm)
7	10.5	0 - 1.5	8.5



Implant Length (mm)	Moulder (mm)	Depth (mm)	Drill Length (mm)
7	12	0 - 3	10

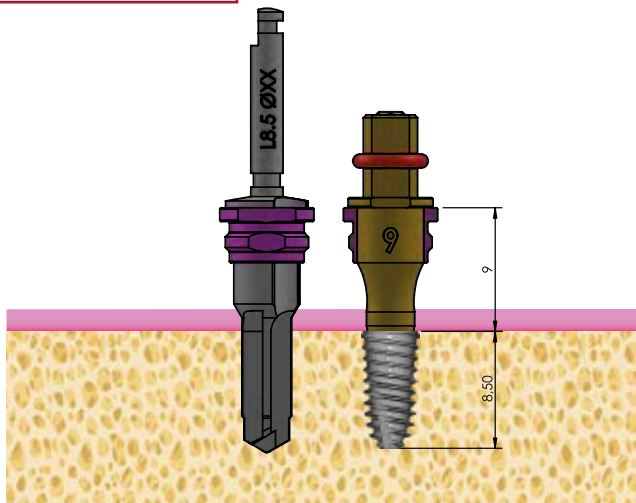


Implant Length (mm)	Moulder (mm)	Depth (mm)	Drill Length (mm)
7	13.5	0 - 3	11.5

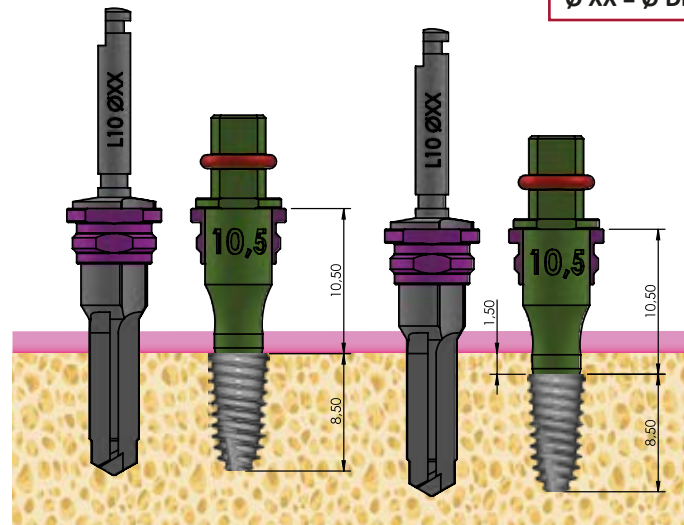
Ø XX = Ø Drill

IMPLANT LENGTH 8.5 mm

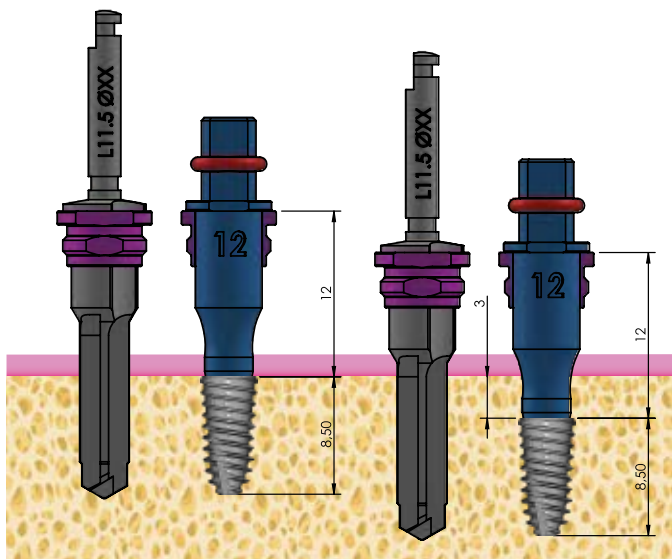
Ø XX = Ø Drill



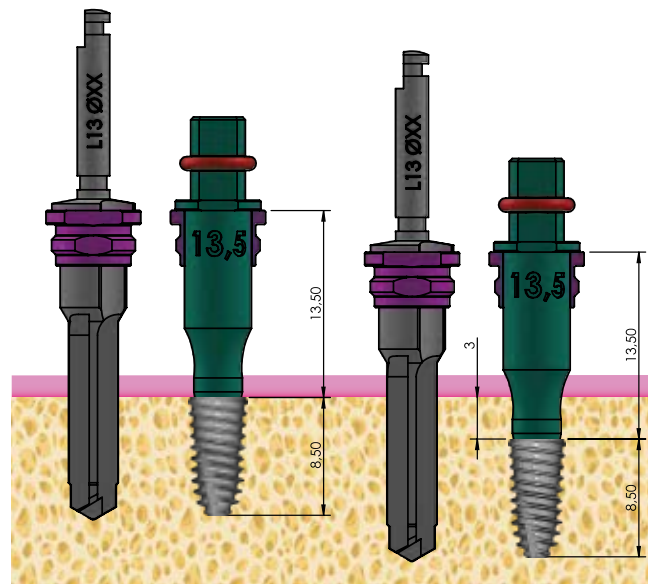
Implant Length (mm)	Moulder (mm)	Depth (mm)	Drill Length (mm)
8.5	9	0	8.5



Implant Length (mm)	Moulder (mm)	Depth (mm)	Drill Length (mm)
8.5	10.5	0 - 1.5	10

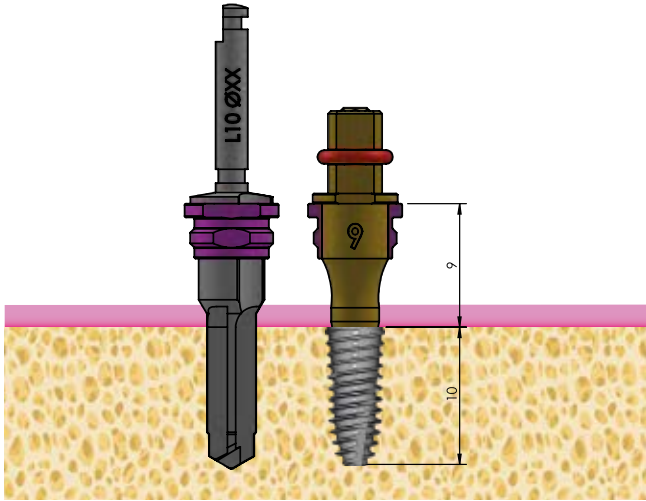


Implant Length (mm)	Moulder (mm)	Depth (mm)	Drill Length (mm)
8.5	12	0 - 3	11.5

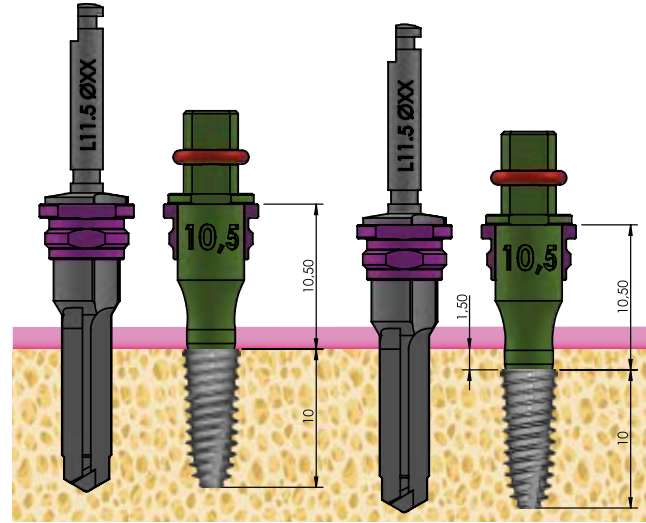


Implant Length (mm)	Moulder (mm)	Depth (mm)	Drill Length (mm)
8.5	13.5	0 - 3	13

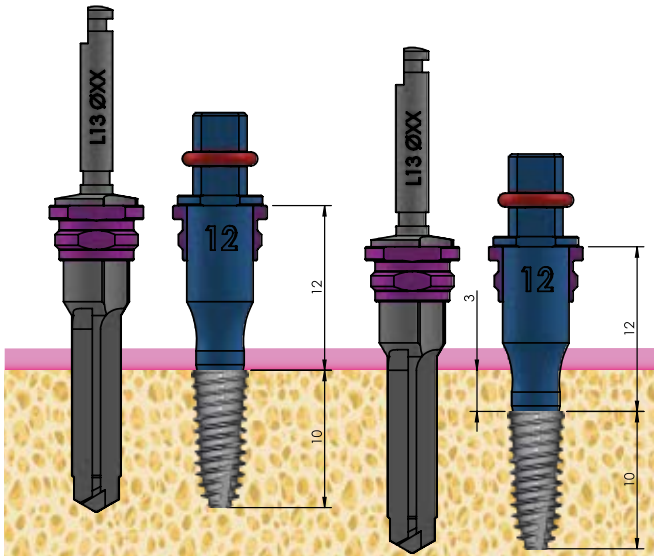
IMPLANT LENGTH 10 mm



Implant Length (mm)	Moulder (mm)	Depth (mm)	Drill Length (mm)
10	9	0	10



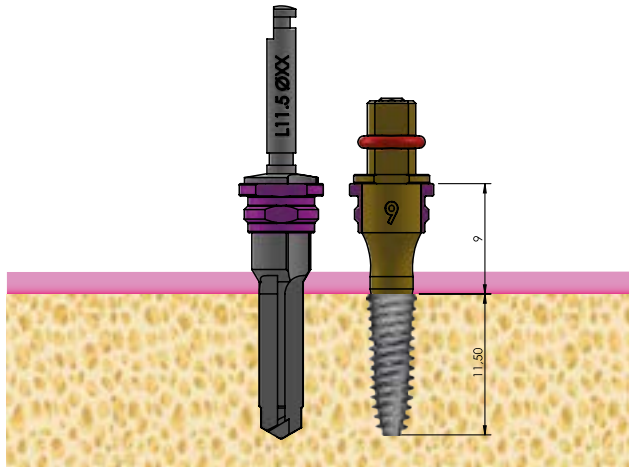
Implant Length (mm)	Moulder (mm)	Depth (mm)	Drill Length (mm)
10	10.5	0 - 1.5	11.5



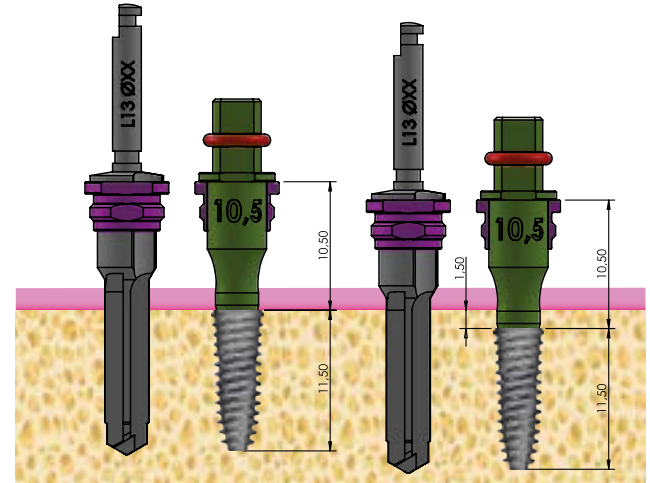
Implant Length (mm)	Moulder (mm)	Depth (mm)	Drill Length (mm)
10	12	0 - 3	13

Ø XX = Ø Drill

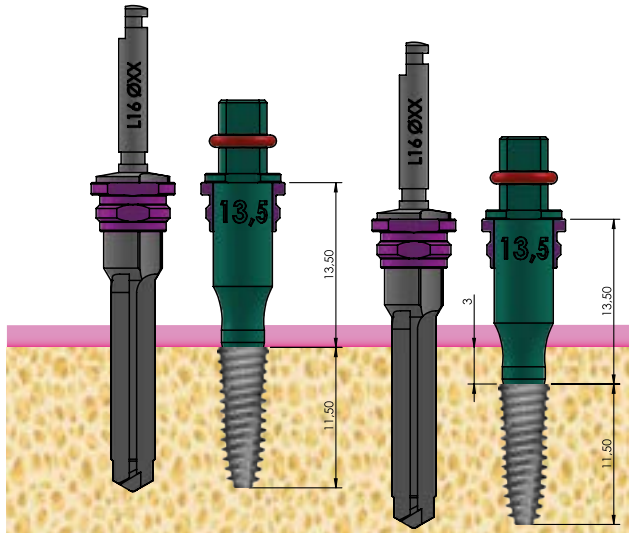
IMPLANT LENGTH 11.5 mm



Implant Length (mm)	Mounter (mm)	Depth (mm)	Drill Length (mm)
11.5	9	0	11.5



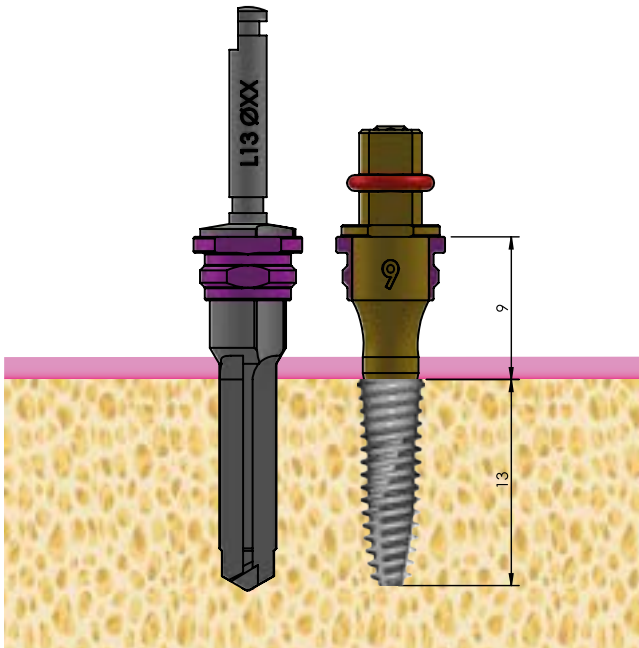
Implant Length (mm)	Mounter (mm)	Depth (mm)	Drill Length (mm)
11.5	10.5	0 - 1.5	13



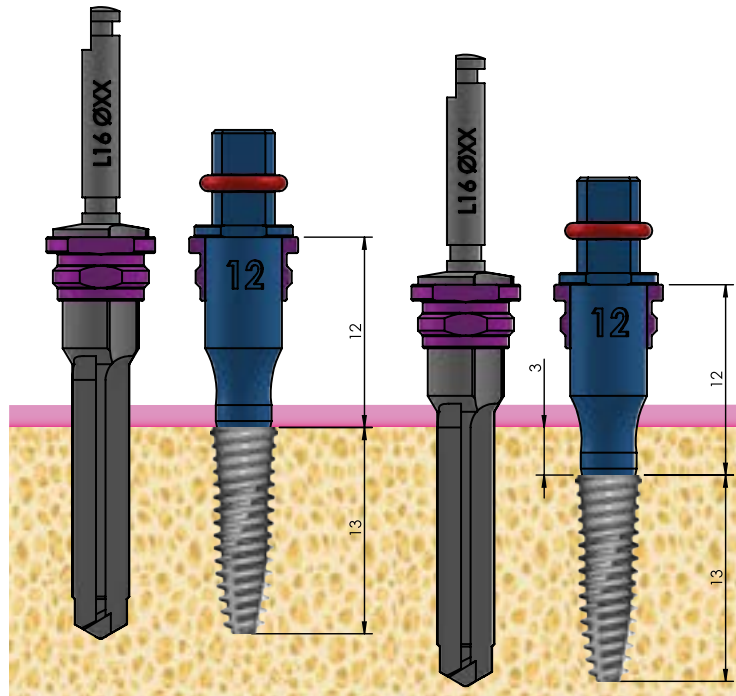
Implant Length (mm)	Mounter (mm)	Depth (mm)	Drill Length (mm)
11.5	13.5	0 - 3	16

Ø XX = Ø Drill

IMPLANT LENGTH 13 mm



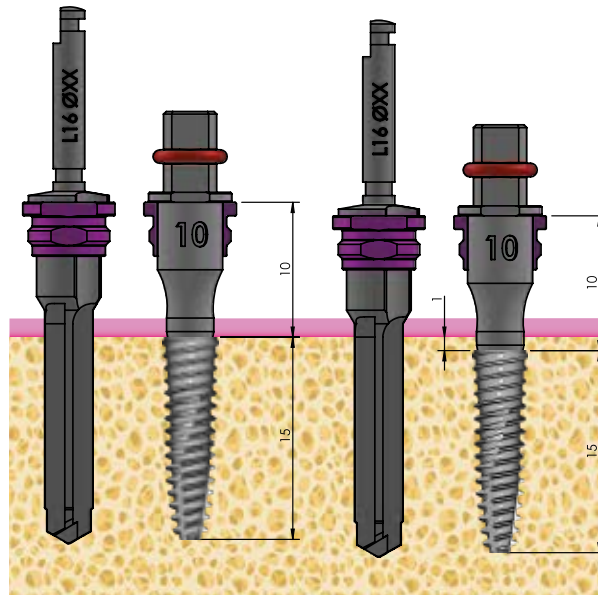
Implant Length (mm)	Mounter (mm)	Depth (mm)	Drill Length (mm)
13	9	0	13



Implant Length (mm)	Mounter (mm)	Depth (mm)	Drill Length (mm)
13	12	0 - 3	16

Ø XX = Ø Drill

IMPLANT LENGTH 15 mm



Implant Length (mm)	Mounter (mm)	Depth (mm)	Drill Length (mm)
15	10	0 - 1	16

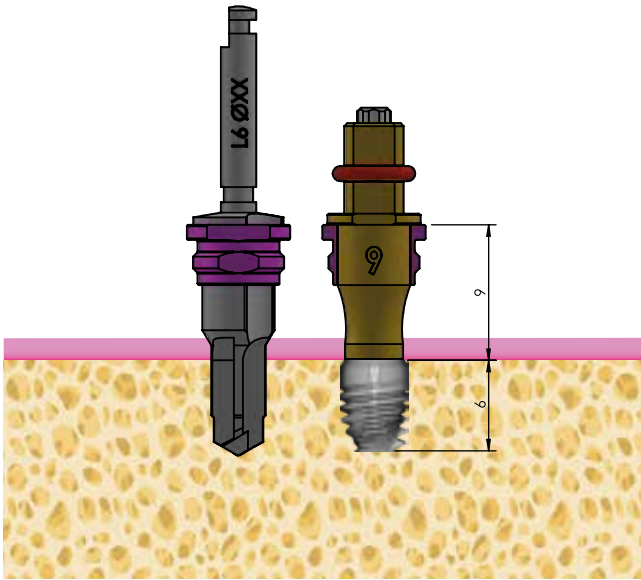
Ø XX = Ø Drill

MIS INTERNAL HEXAGON - SEVEN/M4

Implant Length (mm)	Mount (mm)	Depth (mm)	Drill Length (mm)
6	9	0	6
8	9.5	0 - 0.5	8.5
10	9	0	10
	10.5	0 - 1.5	11.5
	12	0 - 3	13
11.5	9	0	11.5
	10.5	0 - 1.5	13
	13.5	0 - 3	16
13	9	0	13
	12	0 - 3	16
16	9	0	16
	12	0 - 3	19

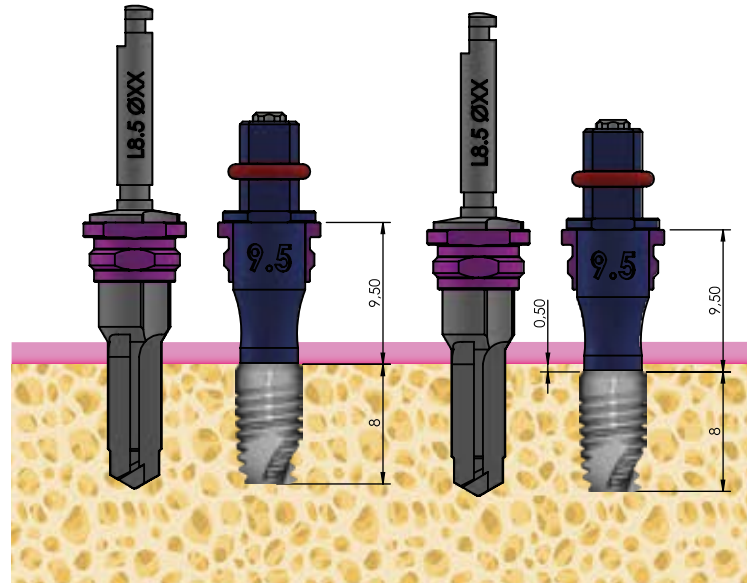
MIS Internal Hexagon		
Model	∅ Implant (mm)	Implant Length (mm)
Seven SP	3.75	8/10/11.5/13/16
Seven SP	4.2	6/8/10/11.5/13/16
M4 SP	3.75	8/10/11.5/13/16
M4 SP	4.2	6/8/10/11.5/13/16

IMPLANT LENGTH 6 mm



Implant Length (mm)	Mounter (mm)	Depth (mm)	Drill Length (mm)
6	9	0	6

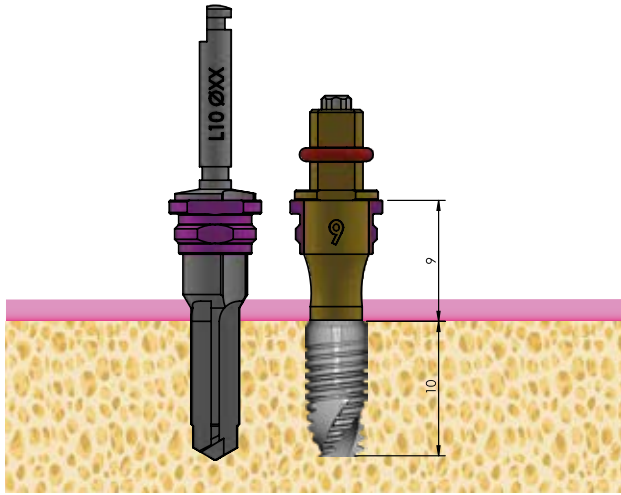
IMPLANT LENGTH 8 mm



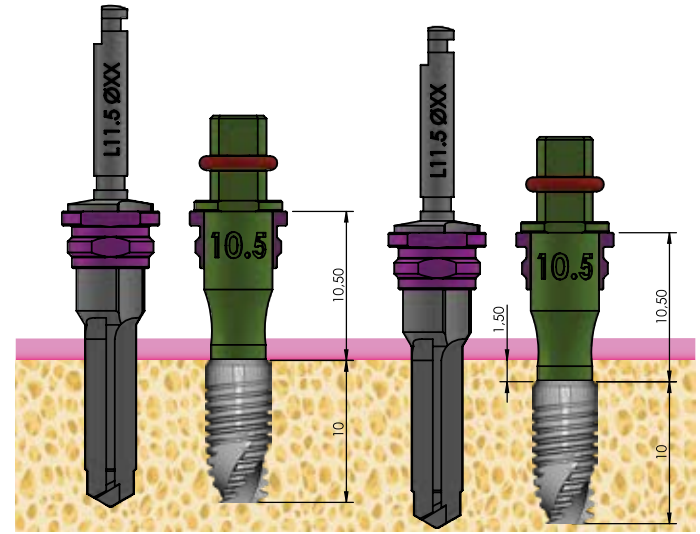
Implant Length (mm)	Mounter (mm)	Depth (mm)	Drill Length (mm)
8	9.5	0 - 0.5	8.5

Ø XX = Ø Drill

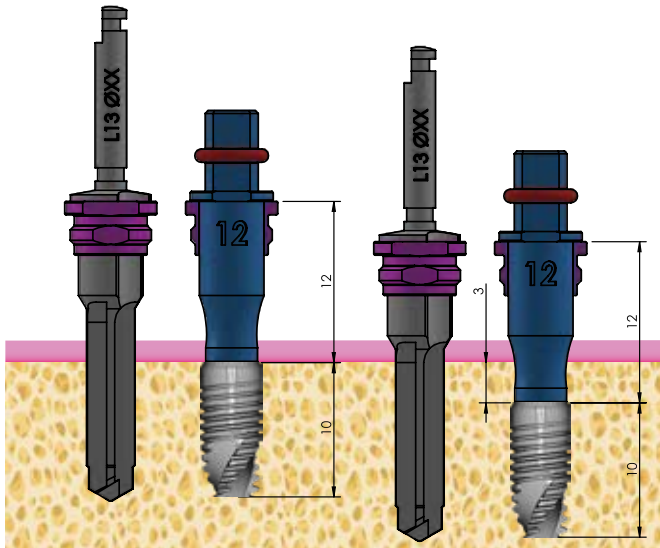
IMPLANT LENGTH 10 mm



Implant Length (mm)	Moulder (mm)	Depth (mm)	Drill Length (mm)
10	9	0	10



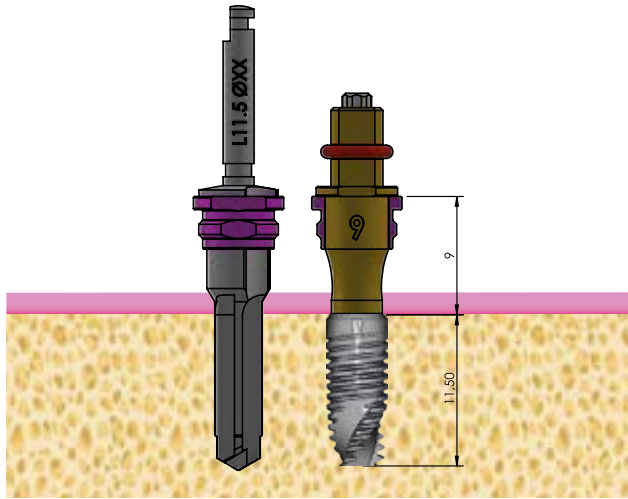
Implant Length (mm)	Moulder (mm)	Depth (mm)	Drill Length (mm)
10	10.5	0 - 1.5	11.5



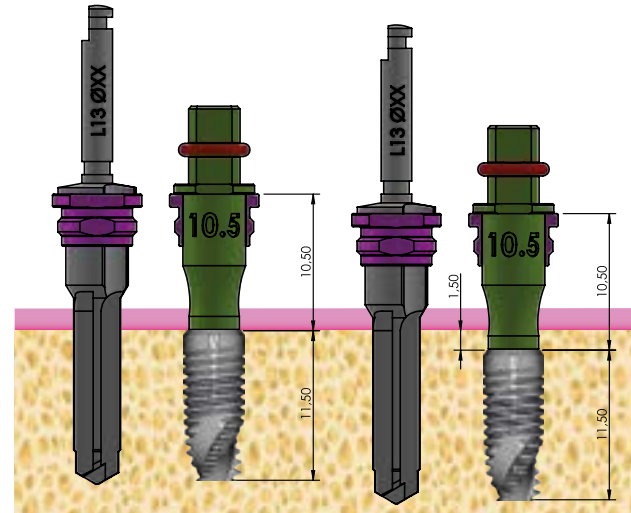
Implant Length (mm)	Moulder (mm)	Depth (mm)	Drill Length (mm)
10	12	0 - 3	13

Ø XX = Ø Drill

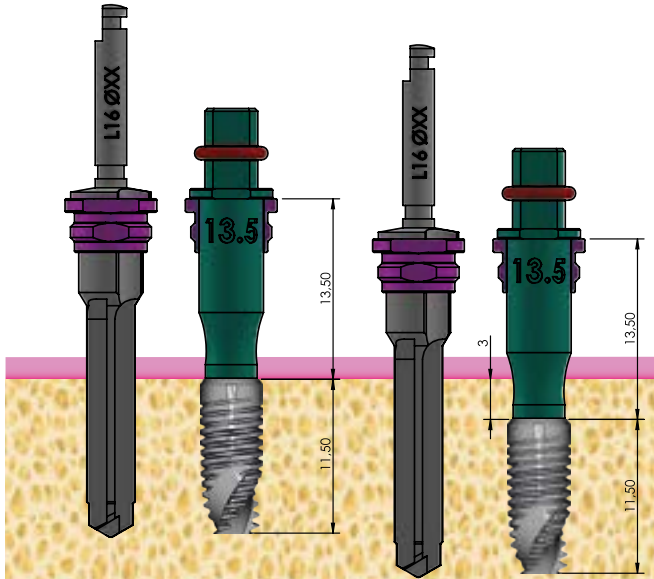
IMPLANT LENGTH 11.5 mm



Implant Length (mm)	Moulder (mm)	Depth (mm)	Drill Length (mm)
11.5	9	0	11.5



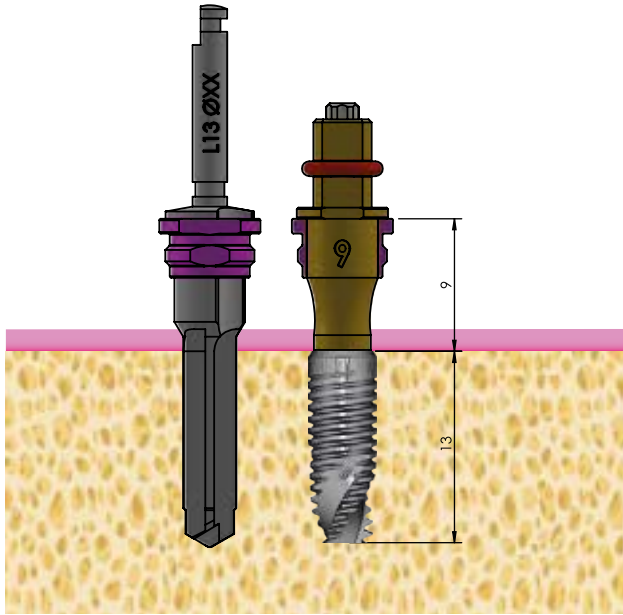
Implant Length (mm)	Moulder (mm)	Depth (mm)	Drill Length (mm)
11.5	10.5	0 - 1.5	13



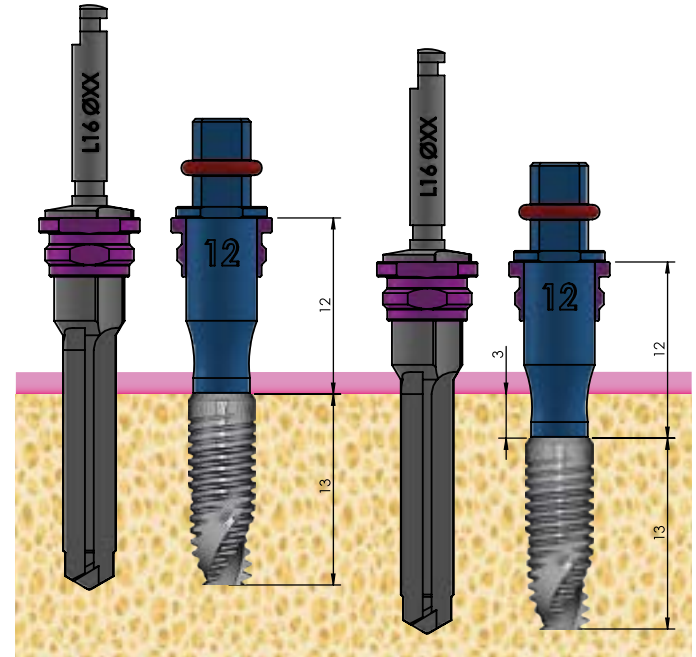
Implant Length (mm)	Moulder (mm)	Depth (mm)	Drill Length (mm)
11.5	13.5	0 - 3	16

Ø XX = Ø Drill

IMPLANT LENGTH 13 mm



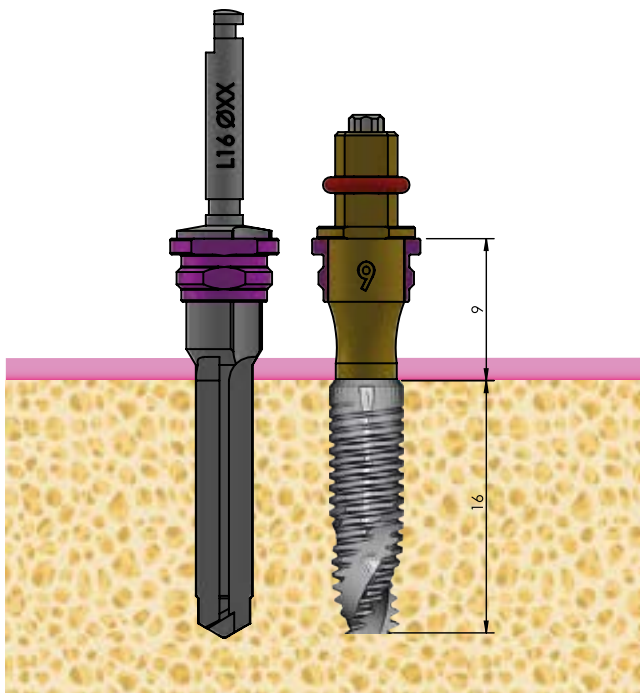
Implant Length (mm)	Moulder (mm)	Depth (mm)	Drill Length (mm)
13	9	0	13



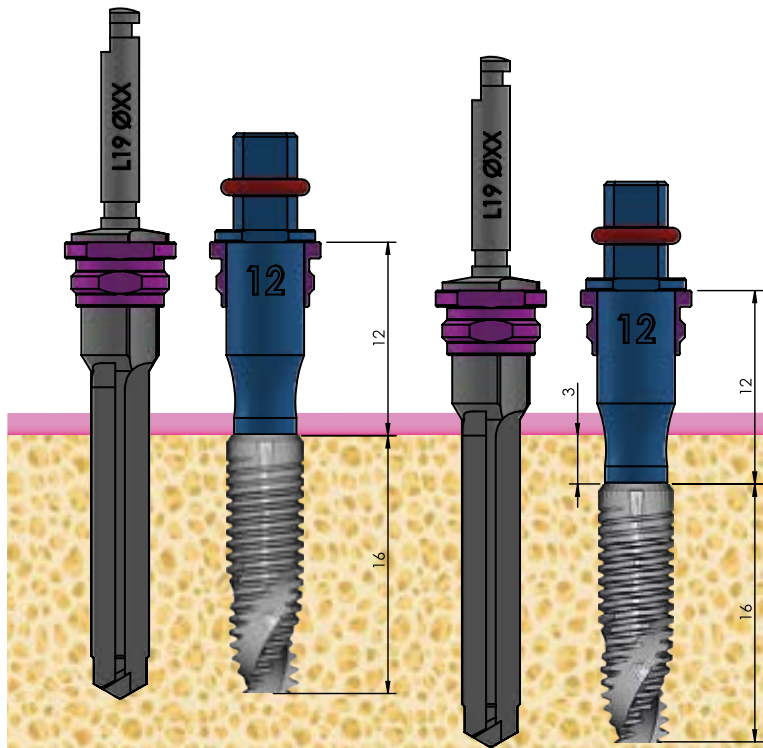
Implant Length (mm)	Moulder (mm)	Depth (mm)	Drill Length (mm)
13	12	0 - 3	16

Ø XX = Ø Drill

IMPLANT LENGTH 16 mm



Implant Length (mm)	Moulder (mm)	Depth (mm)	Drill Length (mm)
16	9	0	16



Implant Length (mm)	Moulder (mm)	Depth (mm)	Drill Length (mm)
16	12	0 - 3	19

Ø XX = Ø Drill

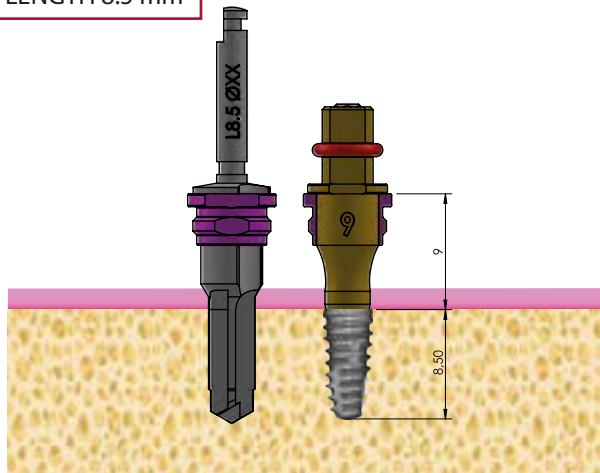
NEOBIOTECH - IS SYSTEM

Implant Length (mm)	Mount (mm)	Depth (mm)	Drill Length (mm)
8.5	9	0	8.5
	10.5	0 - 1.5	10
	12	0 - 3	11.5
	13.5	0 - 3	13
10	9	0	10
	10.5	0 - 1.5	11.5
	12	0 - 3	13
11.5	9	0	11.5
	10.5	0 - 1.5	13
	13.5	0 - 3	16
13	9	0	13
	12	0 - 3	16

NEOBIOTECH IS SYSTEM	
∅ Implant (mm)	Implant Length (mm)
3.5/4/4.5	8.5/10/11.5/13

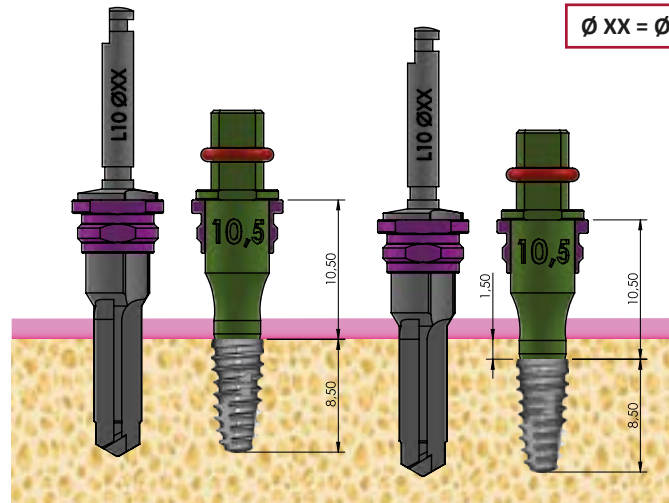
DAS_0030_B1

IMPLANT LENGTH 8.5 mm

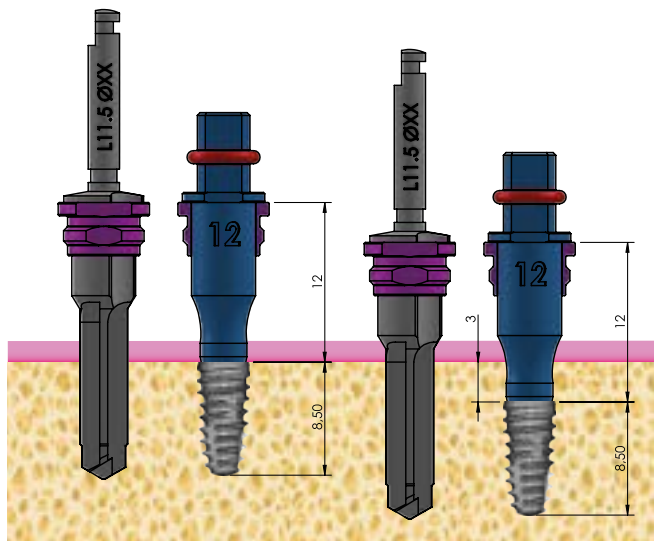


Implant Length (mm)	Moulder (mm)	Depth (mm)	Drill Length (mm)
8.5	9	0	8.5

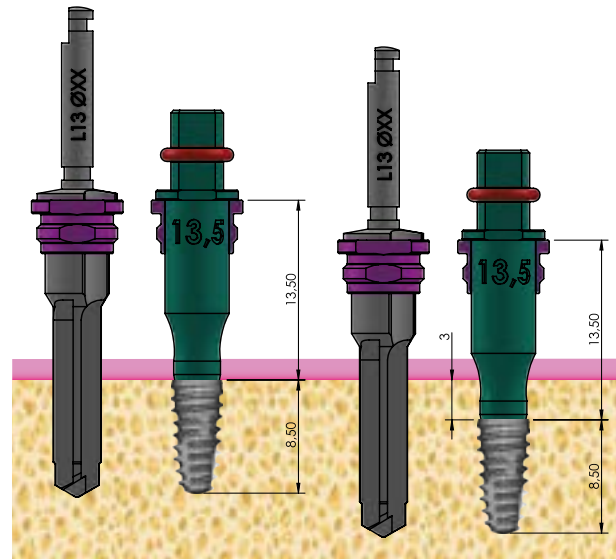
Ø XX = Ø Drill



Implant Length (mm)	Moulder (mm)	Depth (mm)	Drill Length (mm)
8.5	10.5	0 - 1.5	10

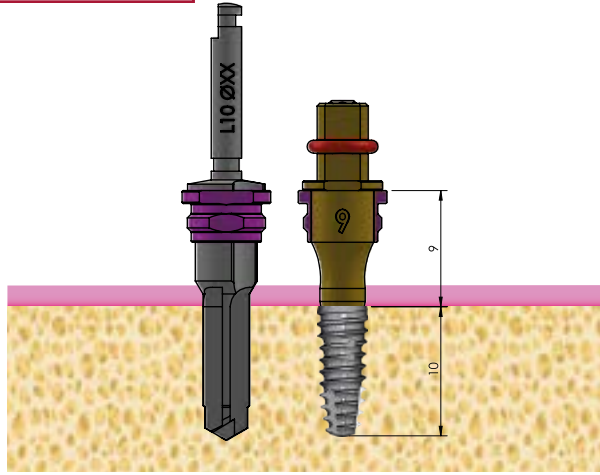


Implant Length (mm)	Moulder (mm)	Depth (mm)	Drill Length (mm)
8.5	12	0 - 3	11.5

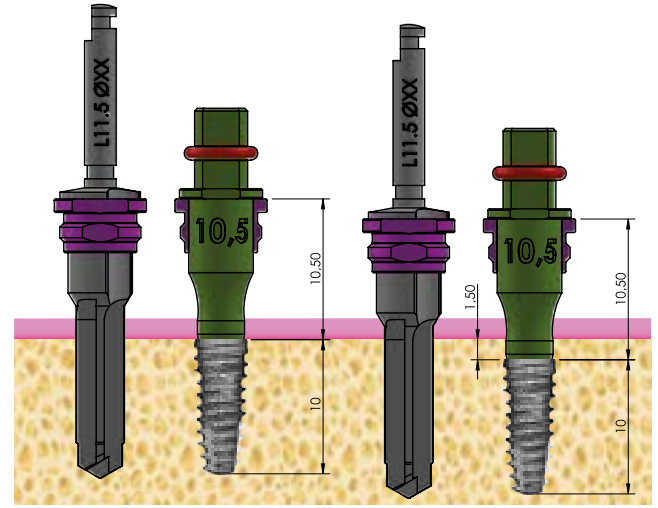


Implant Length (mm)	Moulder (mm)	Depth (mm)	Drill Length (mm)
8.5	13.5	0 - 3	13

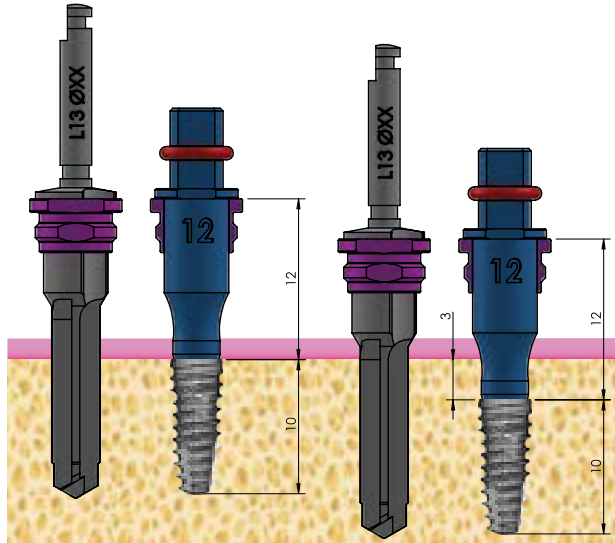
IMPLANT LENGTH 10 mm



Implant Length (mm)	Moulder (mm)	Depth (mm)	Drill Length (mm)
10	9	0	10



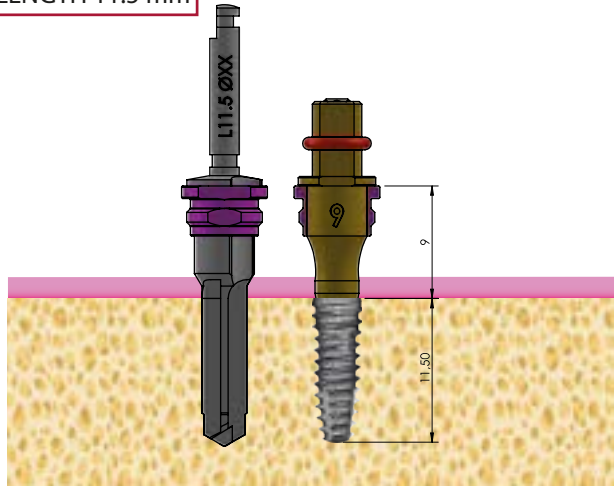
Implant Length (mm)	Moulder (mm)	Depth (mm)	Drill Length (mm)
10	10.5	0 - 1.5	11.5



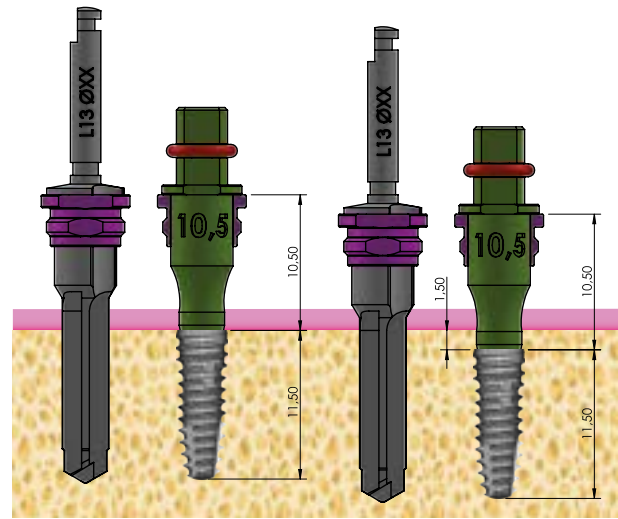
Implant Length (mm)	Moulder (mm)	Depth (mm)	Drill Length (mm)
10	12	0 - 3	13

Ø XX = Ø Drill

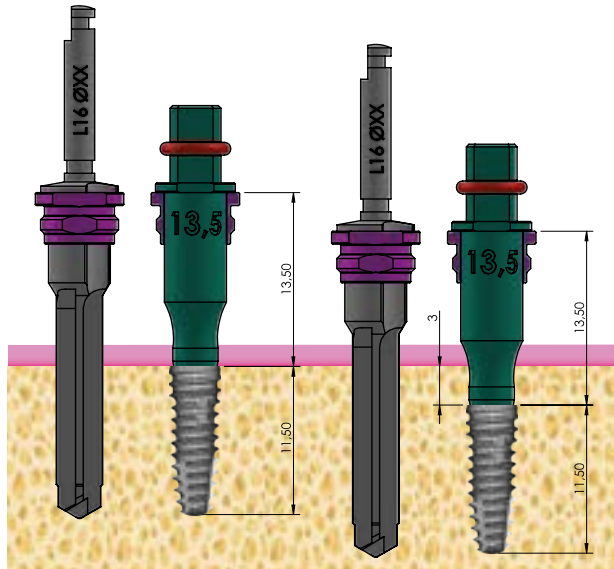
IMPLANT LENGTH 11.5 mm



Implant Length (mm)	Mouter (mm)	Depth (mm)	Drill Length (mm)
11.5	9	0	11.5



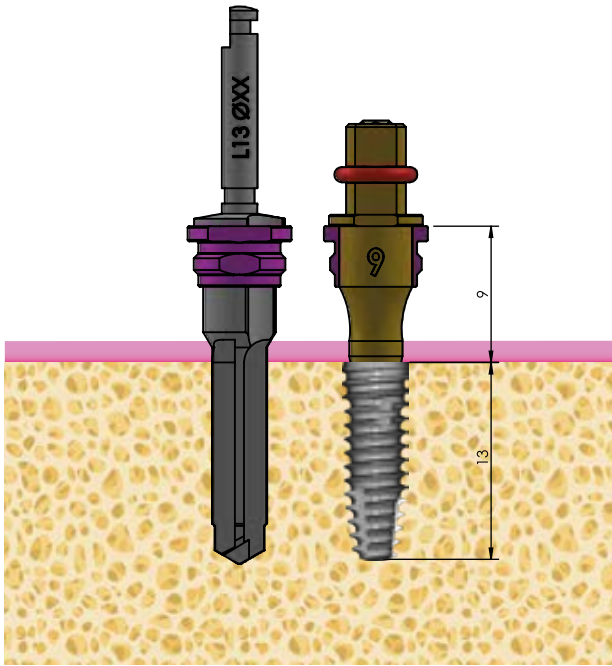
Implant Length (mm)	Mouter (mm)	Depth (mm)	Drill Length (mm)
11.5	10.5	0 - 1.5	13



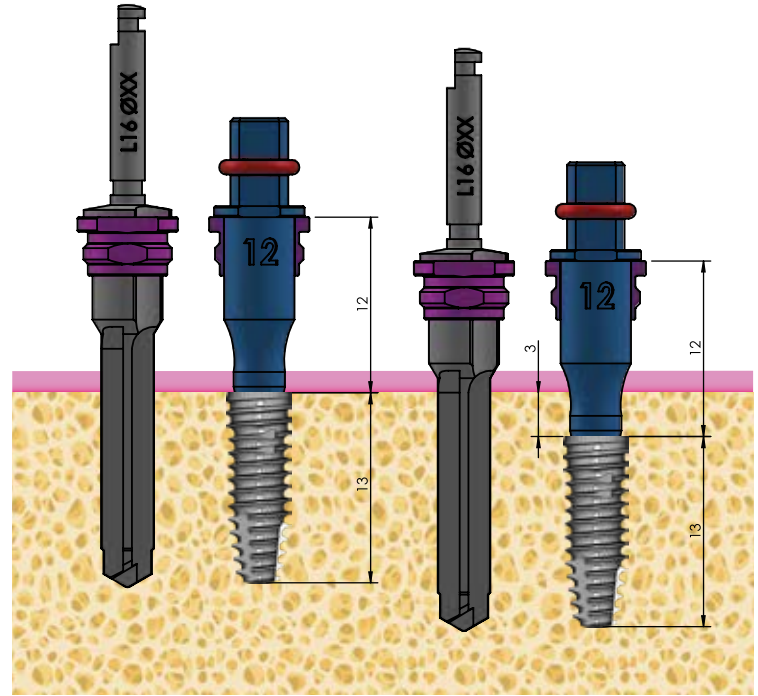
Implant Length (mm)	Mouter (mm)	Depth (mm)	Drill Length (mm)
11.5	13.5	0 - 3	16

Ø XX = Ø Drill

IMPLANT LENGTH 13 mm



Implant Length (mm)	Moulder (mm)	Depth (mm)	Drill Length (mm)
13	9	0	13



Implant Length (mm)	Moulder (mm)	Depth (mm)	Drill Length (mm)
13	12	0 - 3	16

Ø XX = Ø Drill

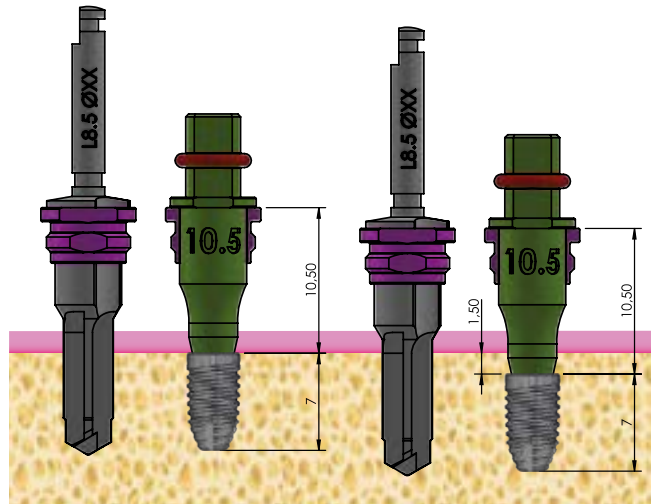
NOBEL BIOCARE - ACTIVE/PARALLEL CONICAL CONNECTION/REPLACE CONICAL CONNECTION

Implant Length (mm)	Mount (mm)	Depth (mm)	Drill Length (mm)
7	10.5	0 - 1.5	8.5
	12	0 - 3	10
	13.5	0 - 3	11.5
8.5	9	0	8.5
	10.5	0 - 1.5	10
	12	0 - 3	11.5
	13.5	0 - 3	13
10	9	0	10
	10.5	0 - 1.5	11.5
	12	0 - 3	13
11.5	9	0	11.5
	10.5	0 - 1.5	13
	13.5	0 - 3	16
13	9	0	13
	12	0 - 3	16
15	10	0 - 1	16
16	9	0	16
	12	0 - 3	19
18	10	0 - 1	19

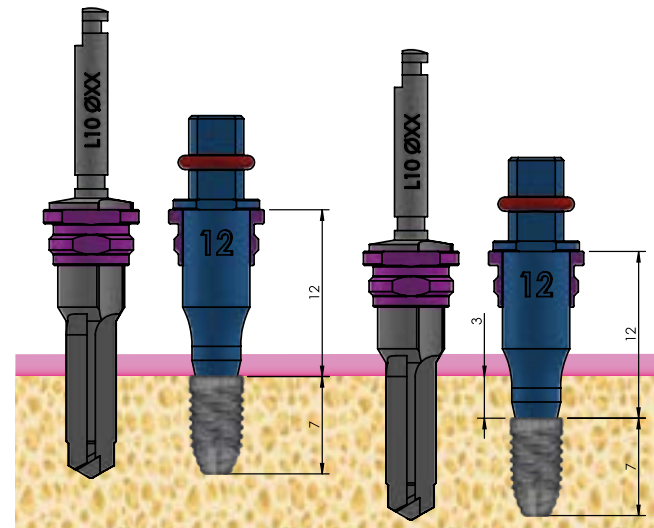
NOBEL		
Model	∅ Implant (mm)	Implant Length (mm)
Active	3.5	8.5/10/11.5/13/15/18
Parallel Conical Connection	3.75	7/8.5/10/11.5/13/15/18
Replace Conical Connection	3.5	10/11.5/13/16

DAS_0021_B1

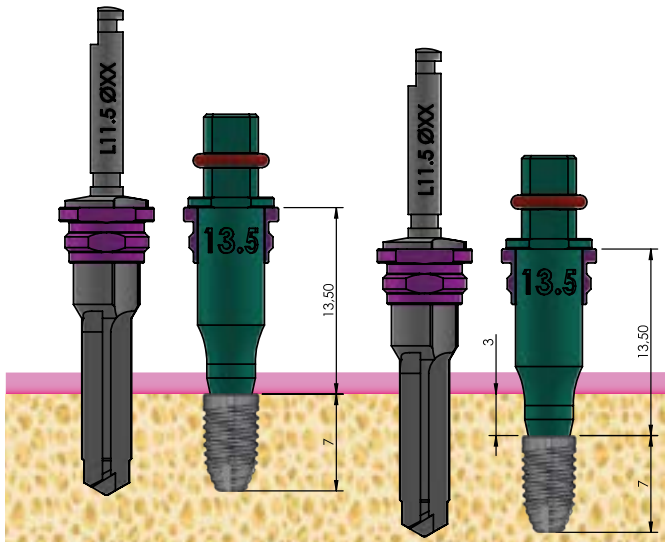
IMPLANT LENGTH 7 mm



Implant Length (mm)	Moulder (mm)	Depth (mm)	Drill Length (mm)
7	10.5	0 - 1.5	8.5



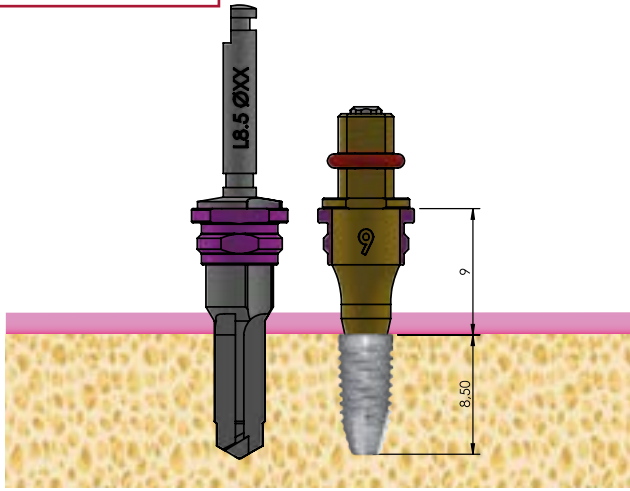
Implant Length (mm)	Moulder (mm)	Depth (mm)	Drill Length (mm)
7	12	0 - 3	10



Implant Length (mm)	Moulder (mm)	Depth (mm)	Drill Length (mm)
7	13.5	0 - 3	11.5

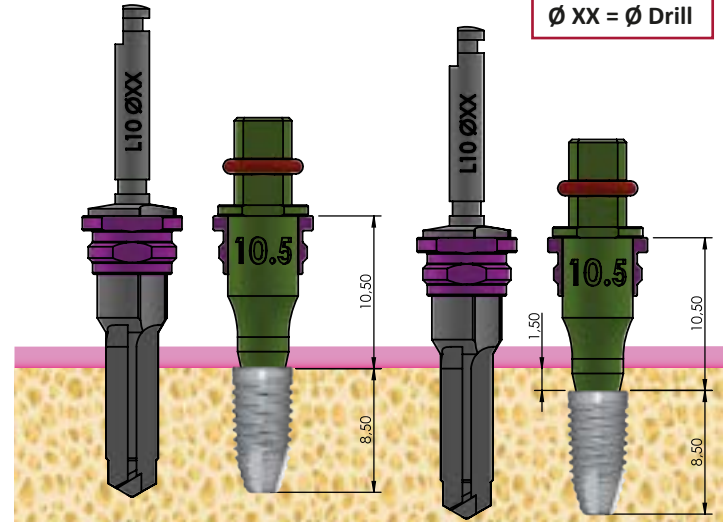
∅ XX = ∅ Drill

IMPLANT LENGTH 8.5 mm

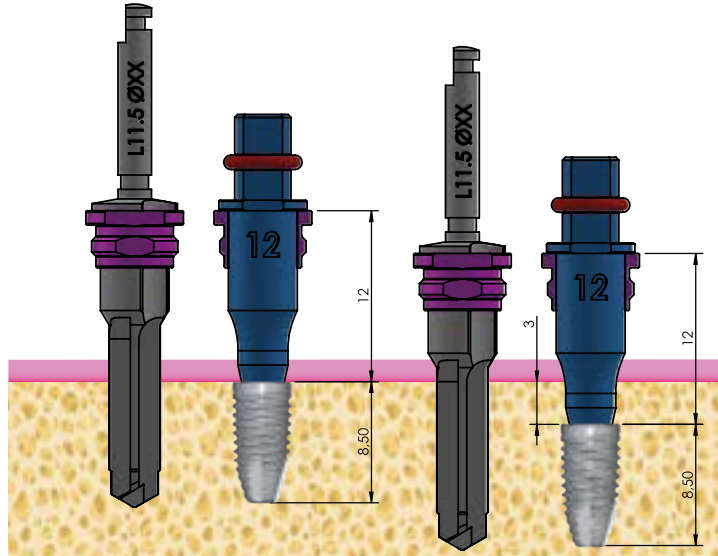


Implant Length (mm)	Moulder (mm)	Depth (mm)	Drill Length (mm)
8.5	9	0	8.5

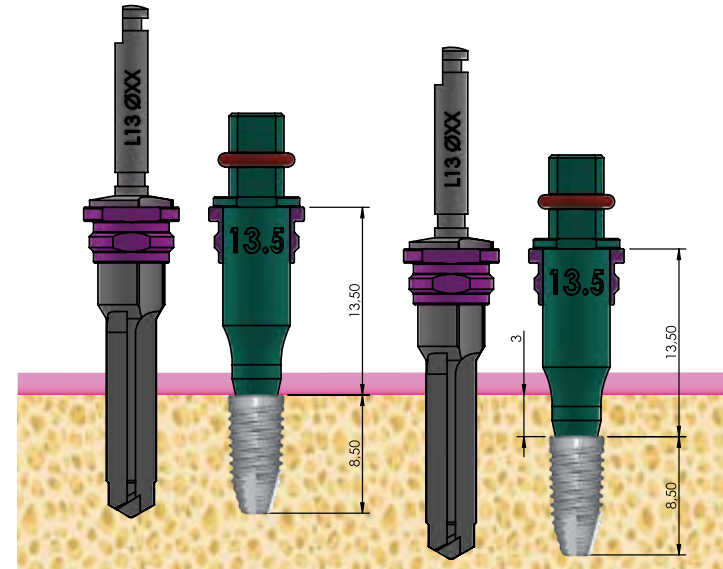
Ø XX = Ø Drill



Implant Length (mm)	Moulder (mm)	Depth (mm)	Drill Length (mm)
8.5	10.5	0 - 1.5	10

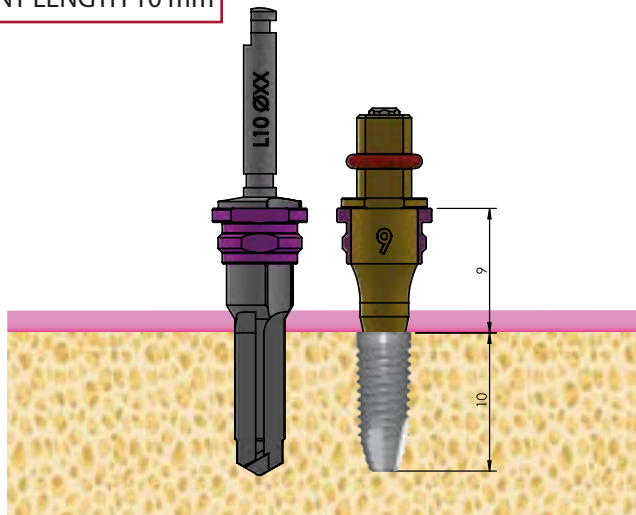


Implant Length (mm)	Moulder (mm)	Depth (mm)	Drill Length (mm)
8.5	12	0 - 3	11.5

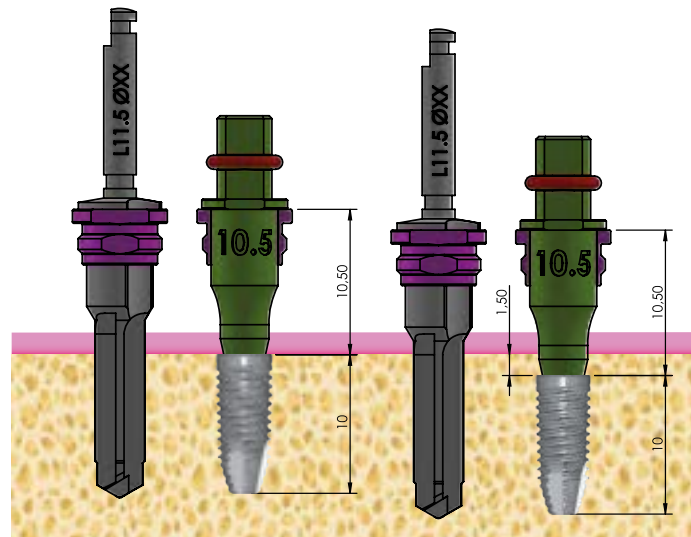


Implant Length (mm)	Moulder (mm)	Depth (mm)	Drill Length (mm)
8.5	13.5	0 - 3	13

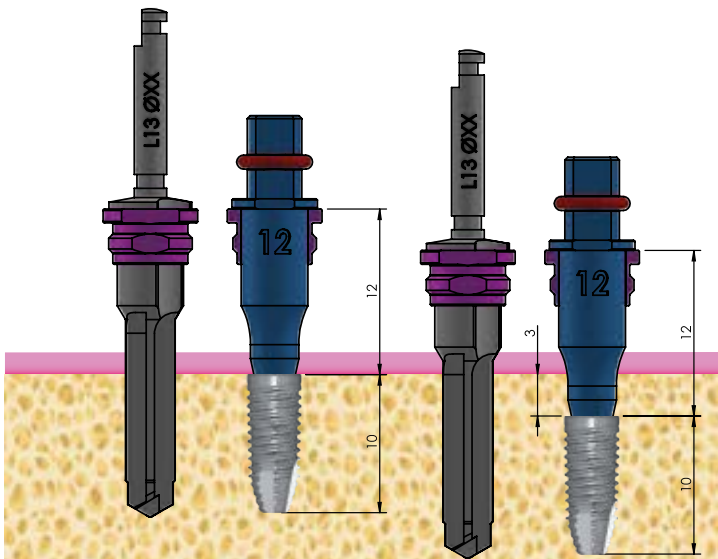
IMPLANT LENGTH 10 mm



Implant Length (mm)	Mounter (mm)	Depth (mm)	Drill Length (mm)
10	9	0	10



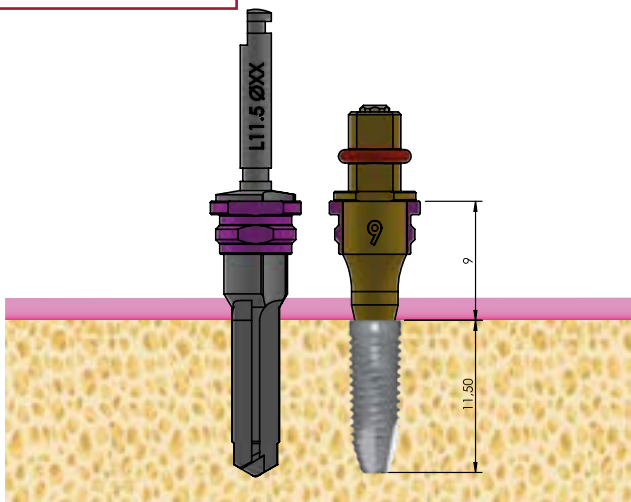
Implant Length (mm)	Mounter (mm)	Depth (mm)	Drill Length (mm)
10	10.5	0 - 1.5	11.5



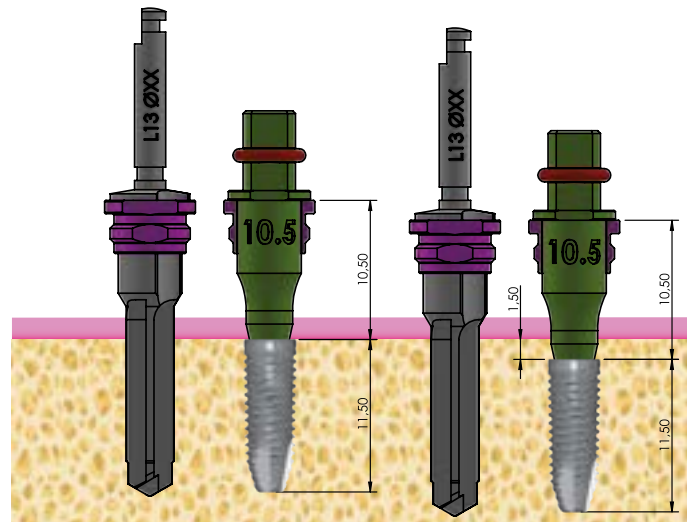
Implant Length (mm)	Mounter (mm)	Depth (mm)	Drill Length (mm)
10	12	0 - 3	13

Ø XX = Ø Drill

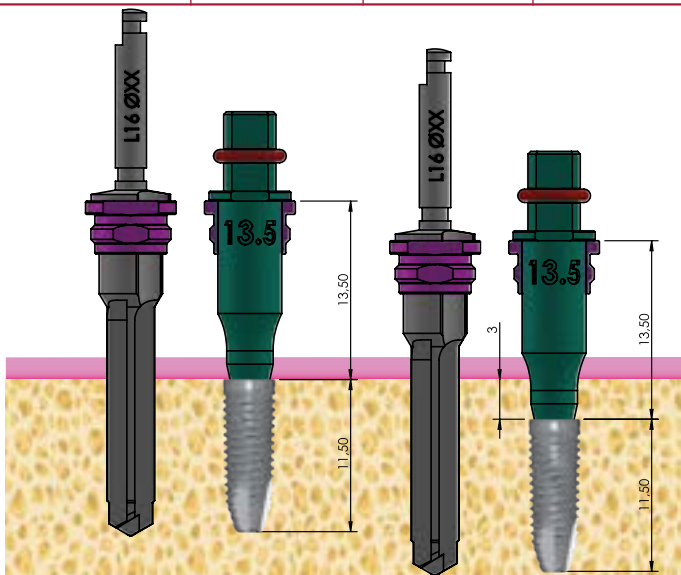
IMPLANT LENGTH 11.5 mm



Implant Length (mm)	Moulder (mm)	Depth (mm)	Drill Length (mm)
11.5	9	0	11.5



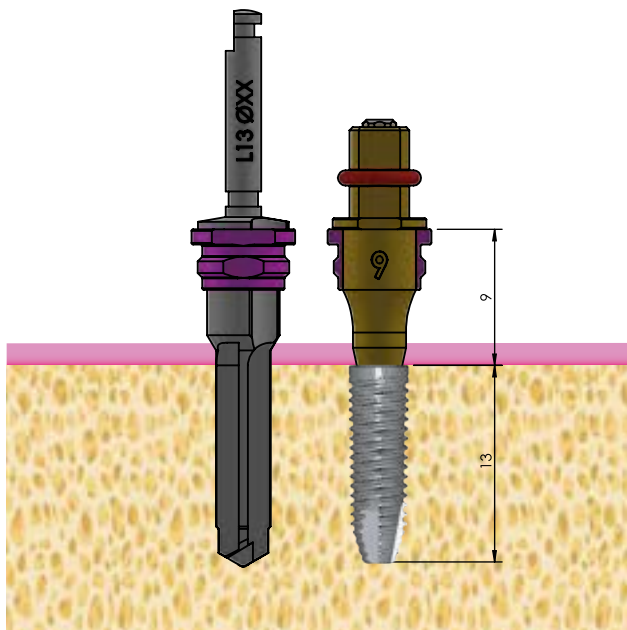
Implant Length (mm)	Moulder (mm)	Depth (mm)	Drill Length (mm)
11.5	10.5	0 - 1.5	13



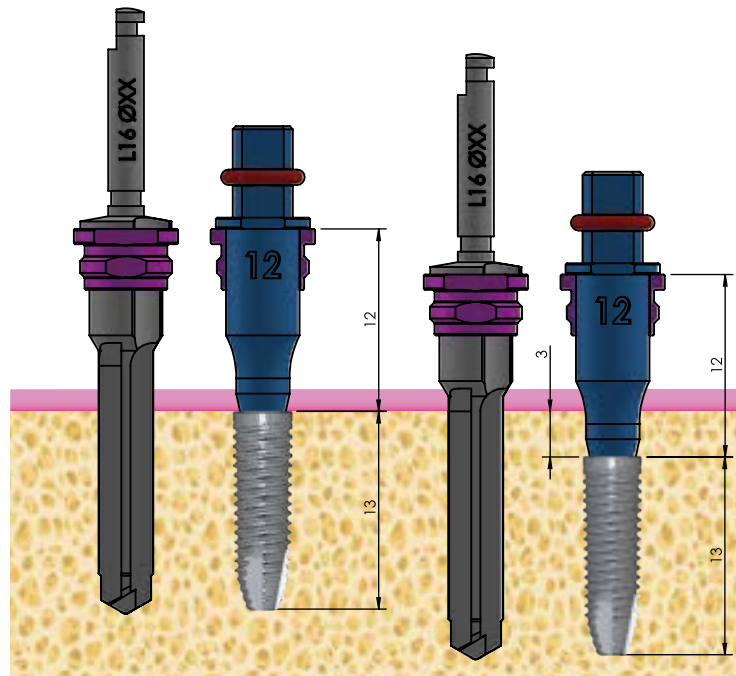
Implant Length (mm)	Moulder (mm)	Depth (mm)	Drill Length (mm)
11.5	13.5	0 - 3	16

Ø XX = Ø Drill

IMPLANT LENGTH 13 mm



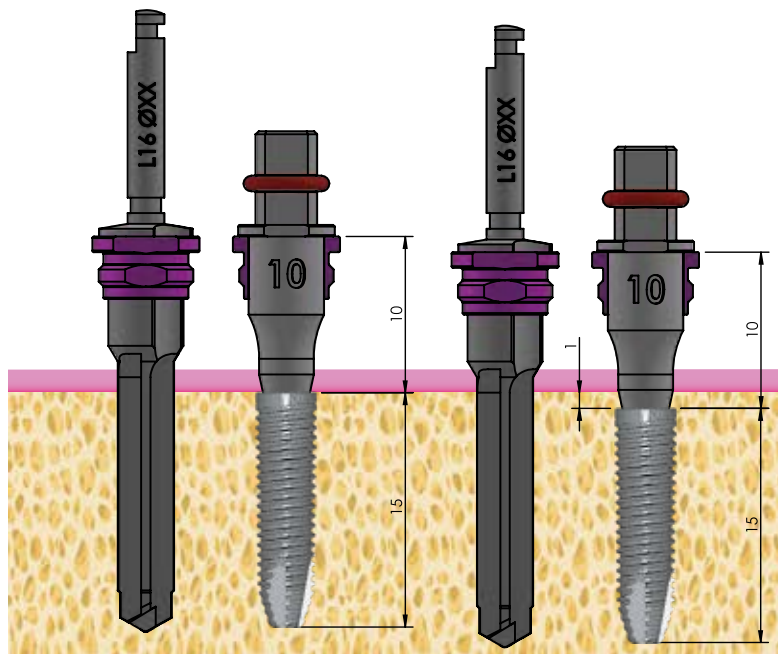
Implant Length (mm)	Moulder (mm)	Depth (mm)	Drill Length (mm)
13	9	0	13



Implant Length (mm)	Moulder (mm)	Depth (mm)	Drill Length (mm)
13	12	0 - 3	16

Ø XX = Ø Drill

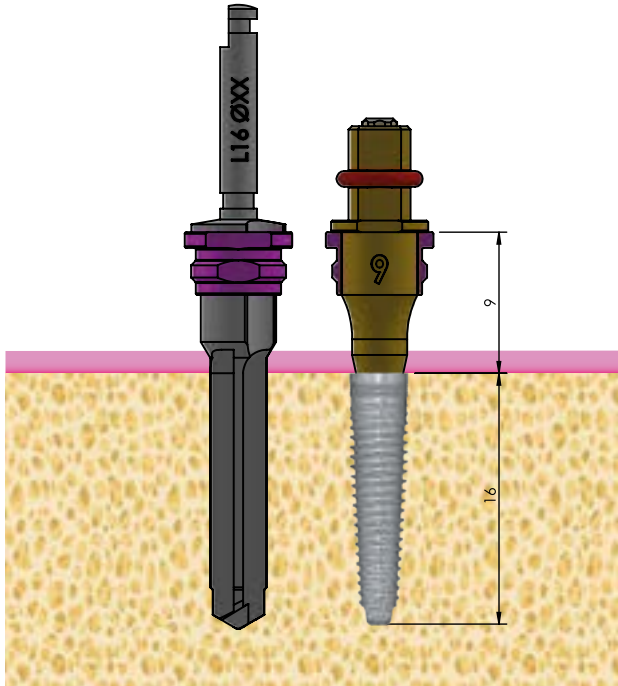
IMPLANT LENGTH 15 mm



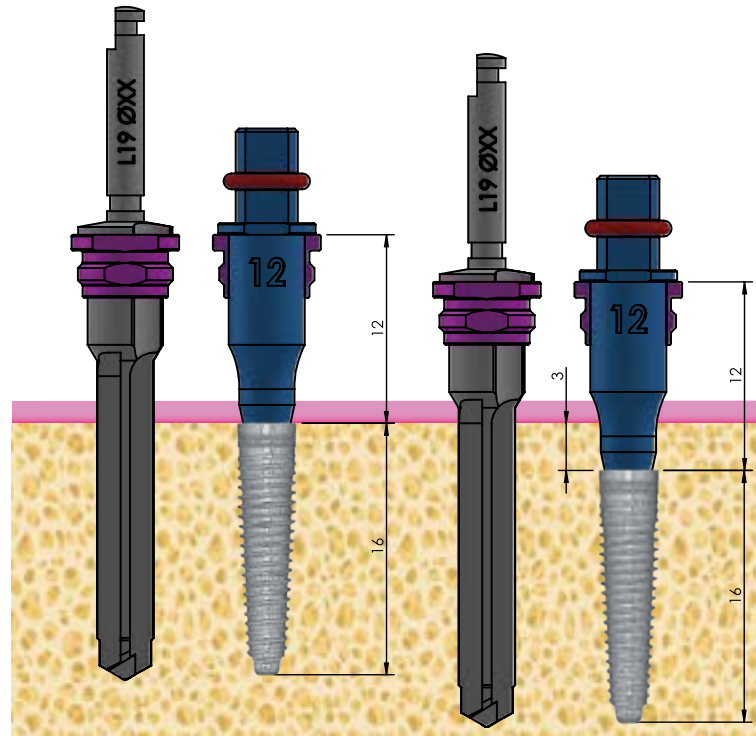
Implant Length (mm)	Moulder (mm)	Depth (mm)	Drill Length (mm)
15	10	0 - 1	16

Ø XX = Ø Drill

IMPLANT LENGTH 16 mm



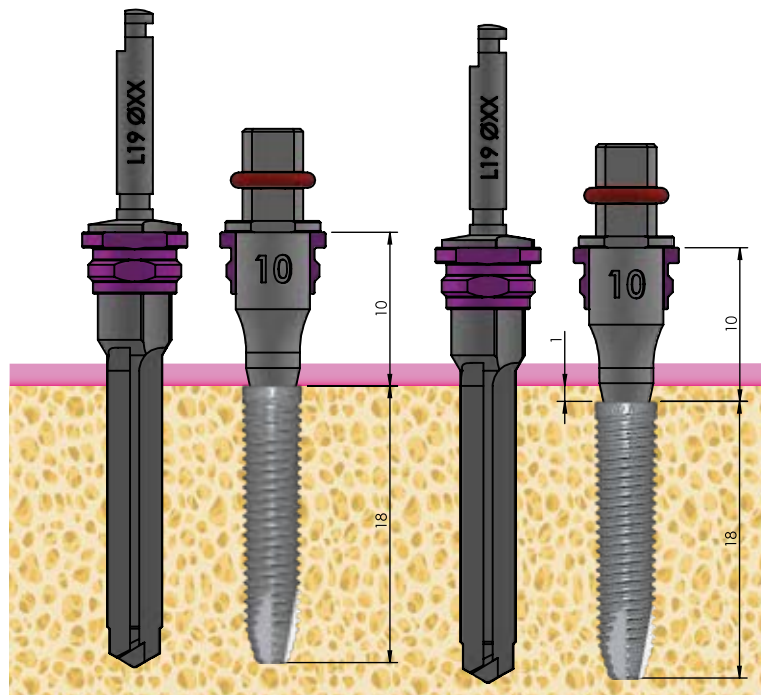
Implant Length (mm)	Moulder (mm)	Depth (mm)	Drill Length (mm)
16	9	0	16



Implant Length (mm)	Moulder (mm)	Depth (mm)	Drill Length (mm)
16	12	0 - 3	19

Ø XX = Ø Drill

IMPLANT LENGTH 18 mm



Implant Length (mm)	Mounter (mm)	Depth (mm)	Drill Length (mm)
18	10	0 - 1	19

Ø XX = Ø Drill

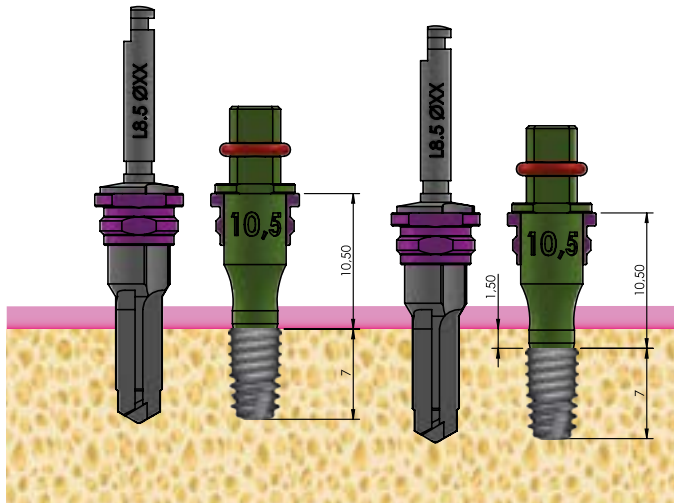
OSSTEM - TS SYSTEM

Implant Length (mm)	Mount (mm)	Depth (mm)	Drill Length (mm)
7	10.5	0 - 1.5	8.5
	12	0 - 3	10
	13.5	0 - 3	11.5
8.5	9	0	8.5
	10.5	0 - 1.5	10
	12	0 - 3	11.5
	13.5	0 - 3	13
10	9	0	10
	10.5	0 - 1.5	11.5
	12	0 - 3	13
11.5	9	0	11.5
	10.5	0 - 1.5	13
	13.5	0 - 3	16
13	9	0	13
	12	0 - 3	16

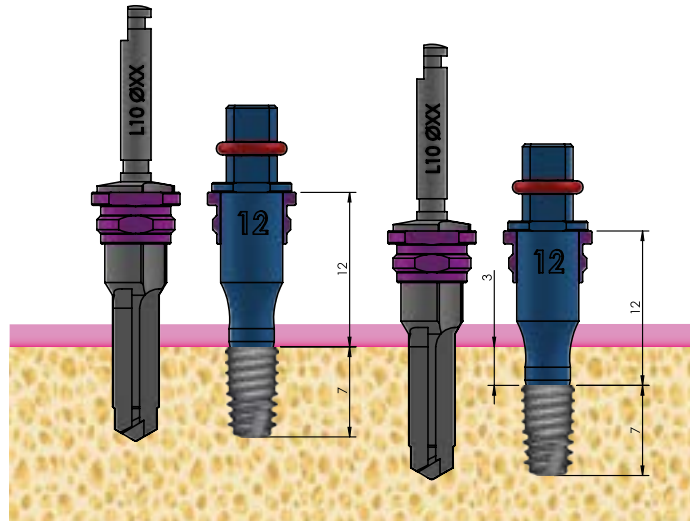
OSSTEM TS SYSTEM	
∅ Implant (mm)	Implant Length (mm)
4/4.5	7/8.5/10/11.5/13

DAS_0030_B1

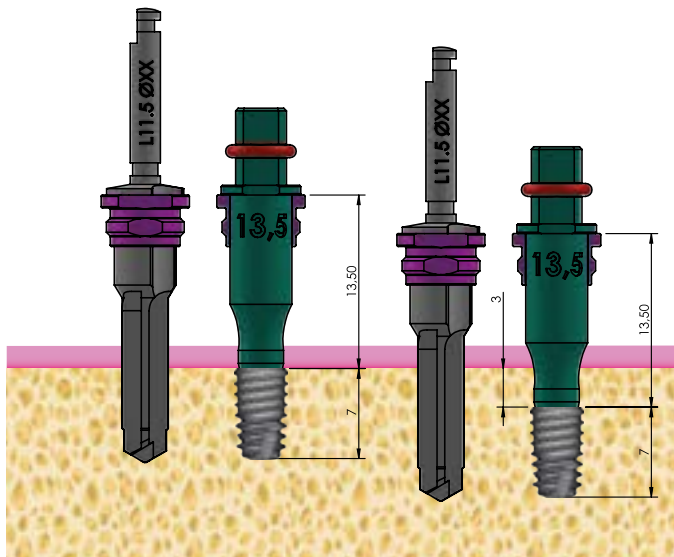
IMPLANT LENGTH 7 mm



Implant Length (mm)	Moulder (mm)	Depth (mm)	Drill Length (mm)
7	10.5	0 - 1.5	8.5



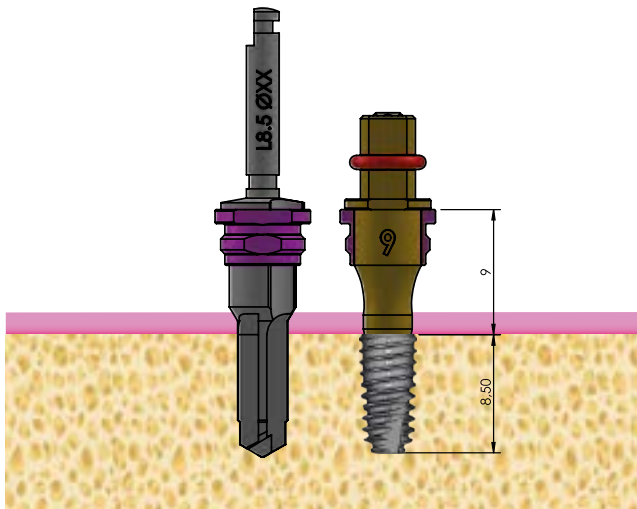
Implant Length (mm)	Moulder (mm)	Depth (mm)	Drill Length (mm)
7	12	0 - 3	10



Implant Length (mm)	Moulder (mm)	Depth (mm)	Drill Length (mm)
7	13.5	0 - 3	11.5

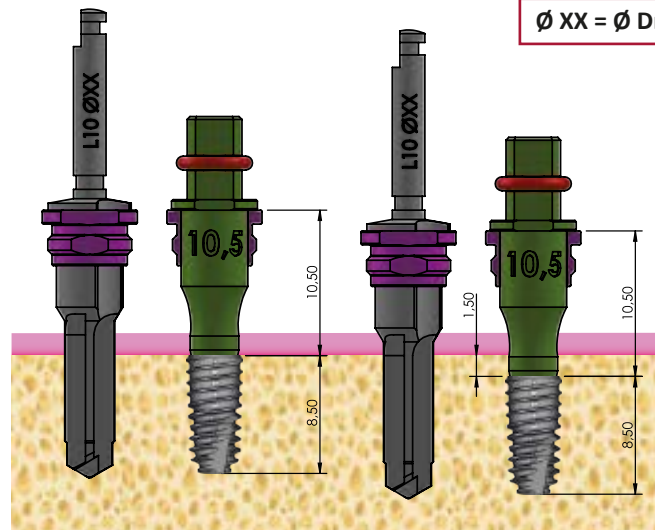
Ø XX = Ø Drill

IMPLANT LENGTH 8.5 mm

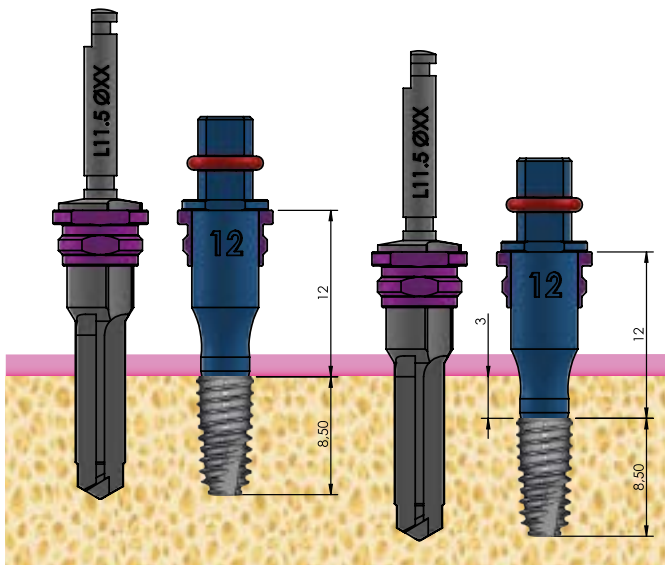


Implant Length (mm)	Moulder (mm)	Depth (mm)	Drill Length (mm)
8.5	9	0	8.5

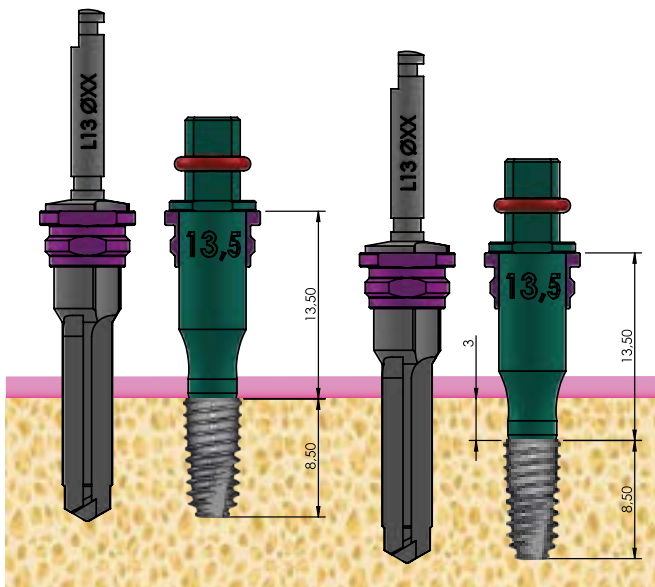
Ø XX = Ø Drill



Implant Length (mm)	Moulder (mm)	Depth (mm)	Drill Length (mm)
8.5	10.5	0 - 1.5	10

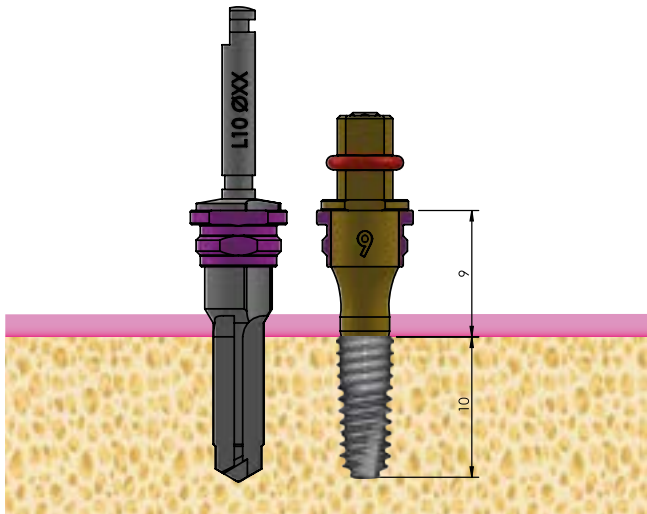


Implant Length (mm)	Moulder (mm)	Depth (mm)	Drill Length (mm)
8.5	12	0 - 3	11.5

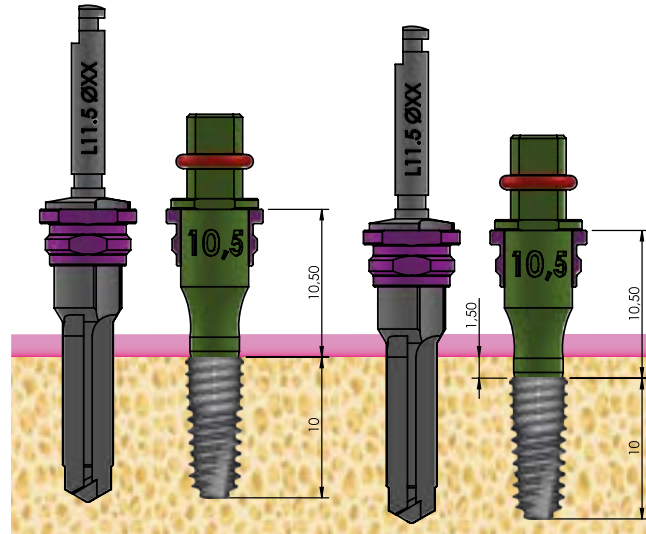


Implant Length (mm)	Moulder (mm)	Depth (mm)	Drill Length (mm)
8.5	13.5	0 - 3	13

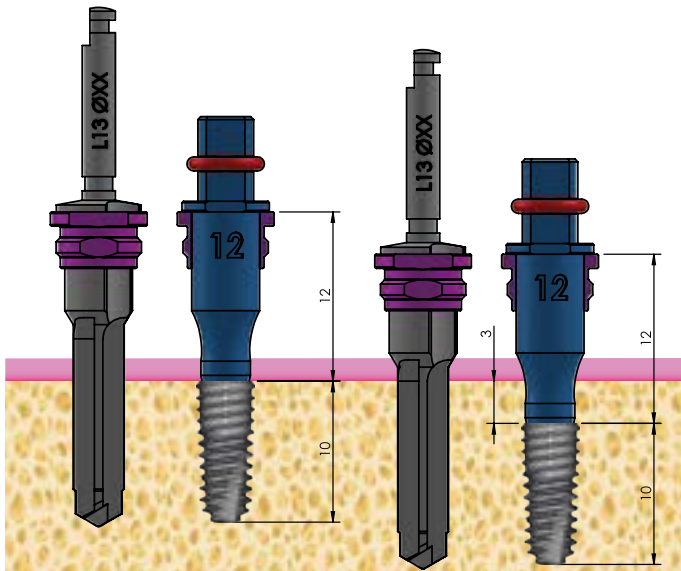
IMPLANT LENGTH 10 mm



Implant Length (mm)	Mouter (mm)	Depth (mm)	Drill Length (mm)
10	9	0	10



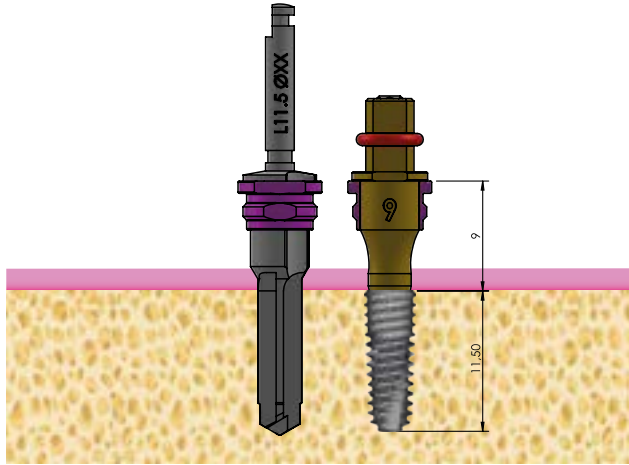
Implant Length (mm)	Mouter (mm)	Depth (mm)	Drill Length (mm)
10	10.5	0 - 1.5	11.5



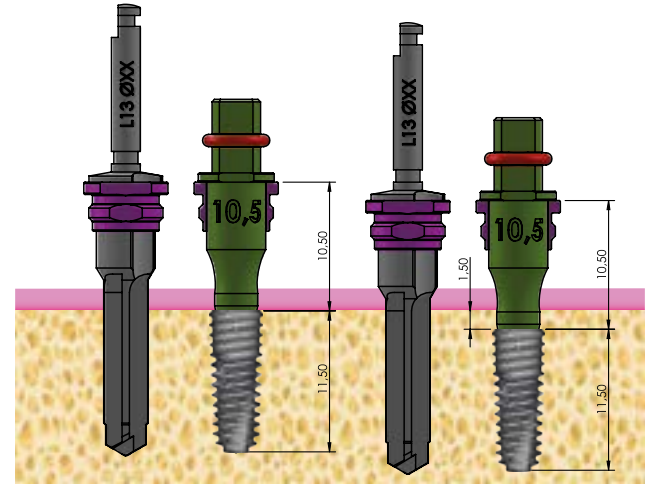
Implant Length (mm)	Mouter (mm)	Depth (mm)	Drill Length (mm)
10	12	0 - 3	13

Ø XX = Ø Drill

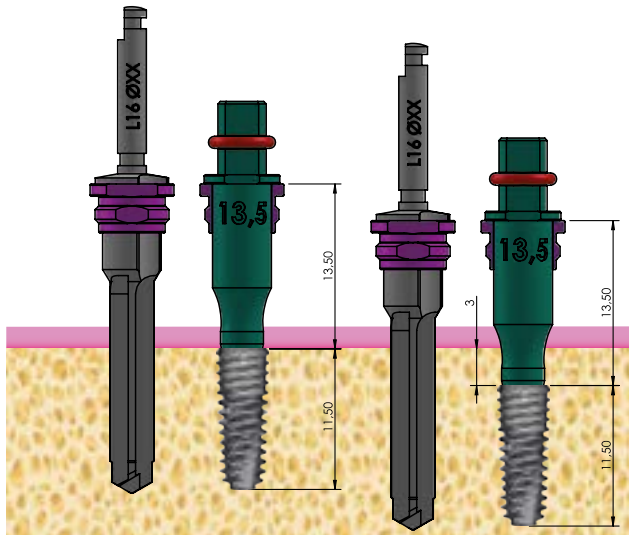
IMPLANT LENGTH 11.5 mm



Implant Length (mm)	Mounter (mm)	Depth (mm)	Drill Length (mm)
11.5	9	0	11.5



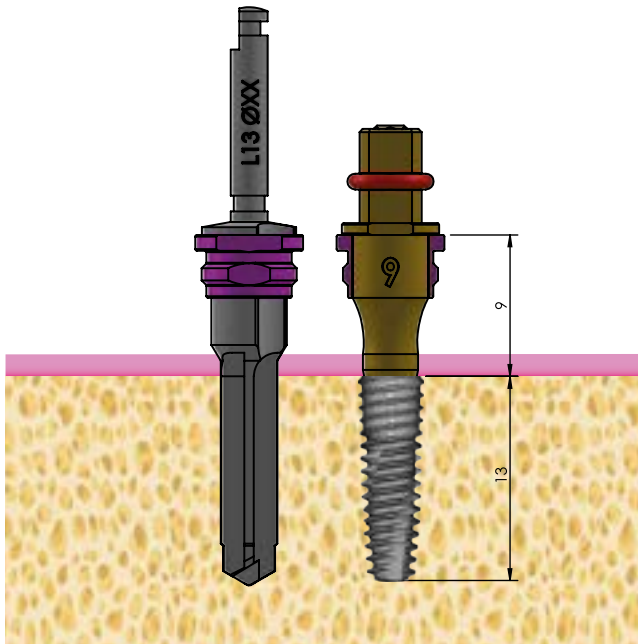
Implant Length (mm)	Mounter (mm)	Depth (mm)	Drill Length (mm)
11.5	10.5	0 - 1.5	13



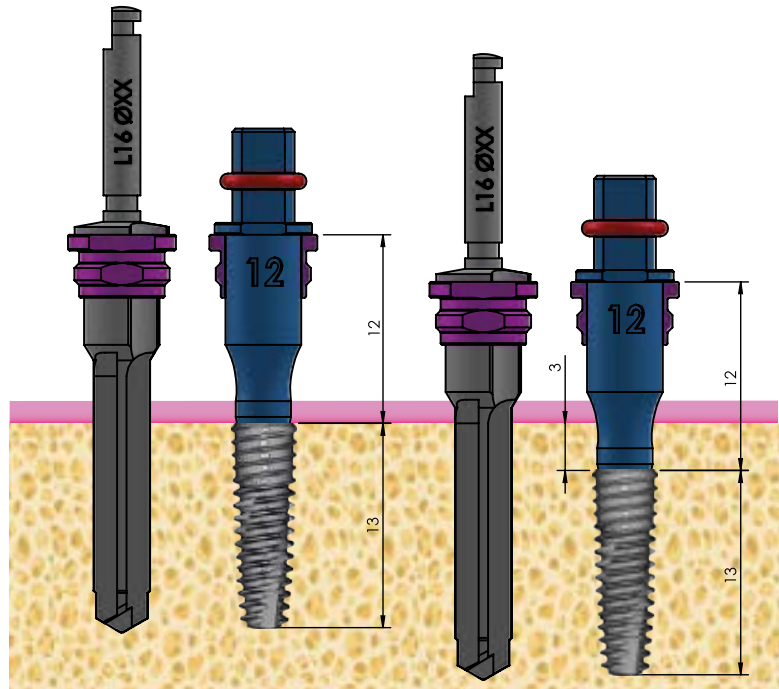
Implant Length (mm)	Mounter (mm)	Depth (mm)	Drill Length (mm)
11.5	13.5	0 - 3	16

Ø XX = Ø Drill

IMPLANT LENGTH 13 mm



Implant Length (mm)	Mounter (mm)	Depth (mm)	Drill Length (mm)
13	9	0	13



Implant Length (mm)	Mounter (mm)	Depth (mm)	Drill Length (mm)
13	12	0 - 3	16

Ø XX = Ø Drill

PALTOP IH - ADVANCED/ADVANCED+/DYNAMIC/ACTIVE

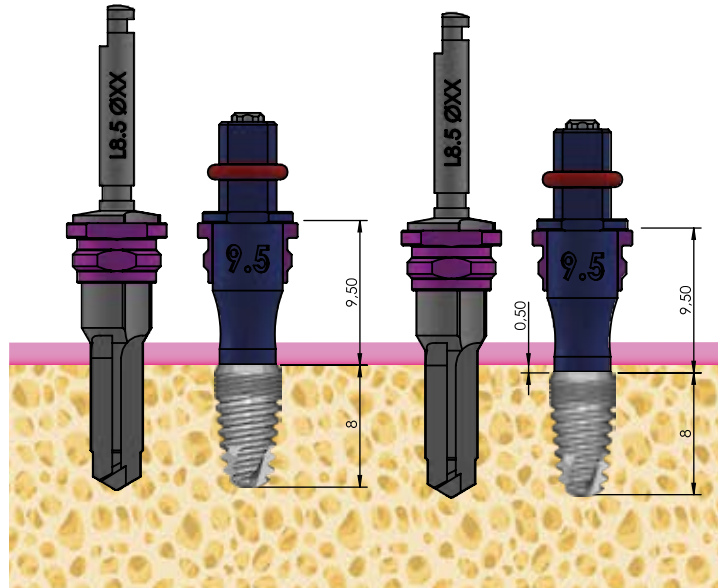
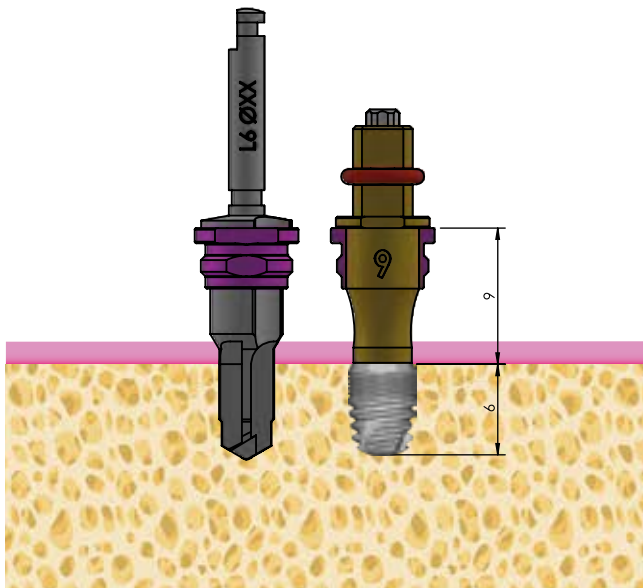
Implant Length (mm)	Mount (mm)	Depth (mm)	Drill Length (mm)
6	9	0	6
8	9.5	0 - 0.5	8.5
10	9	0	10
	10.5	0 - 1.5	11.5
	12	0 - 3	13
11.5	9	0	11.5
	10.5	0 - 1.5	13
	13.5	0 - 3	16
13	9	0	13
	12	0 - 3	16
16	9	0	16
	12	0 - 3	19

PALTOP IH		
Model	∅ Implant (mm)	Implant Length (mm)
Advanced Advanced + Dynamic	3.75	8/10/11.5/13/16
	4.2	6/8/10/11.5/13/16
Active	3.75	8/10/11.5/13/16
	4.2	8/10/11.5/13/16

DAS_0040_B3

IMPLANT LENGTH 6 mm

IMPLANT LENGTH 8 mm

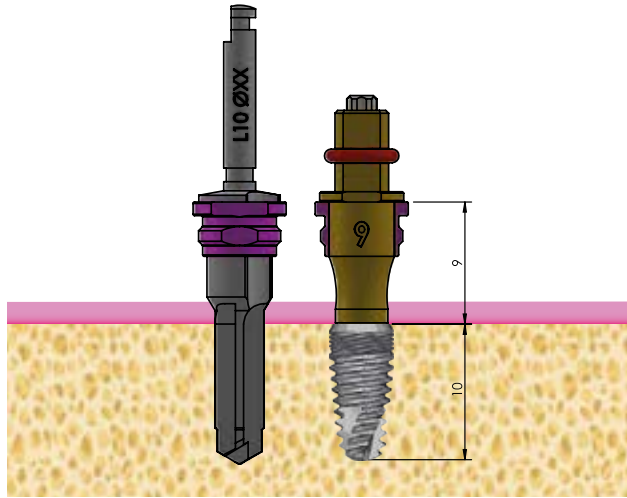


Implant Length (mm)	Mounter (mm)	Depth (mm)	Drill Length (mm)
6	9	0	6

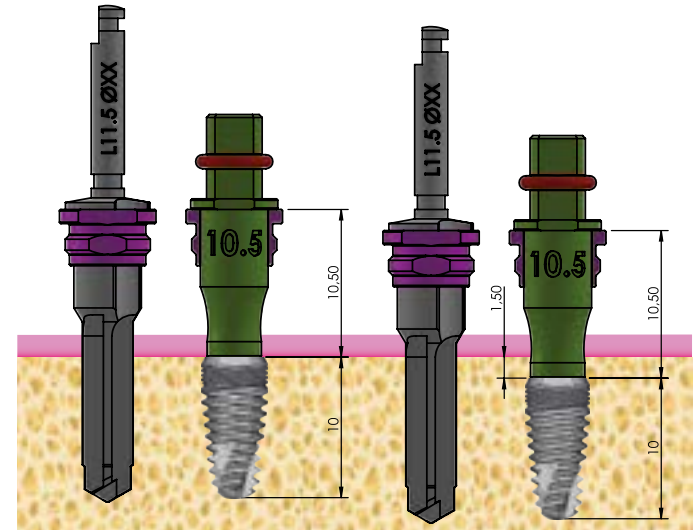
Implant Length (mm)	Mounter (mm)	Depth (mm)	Drill Length (mm)
8	9.5	0 - 0.5	8.5

Ø XX = Ø Drill

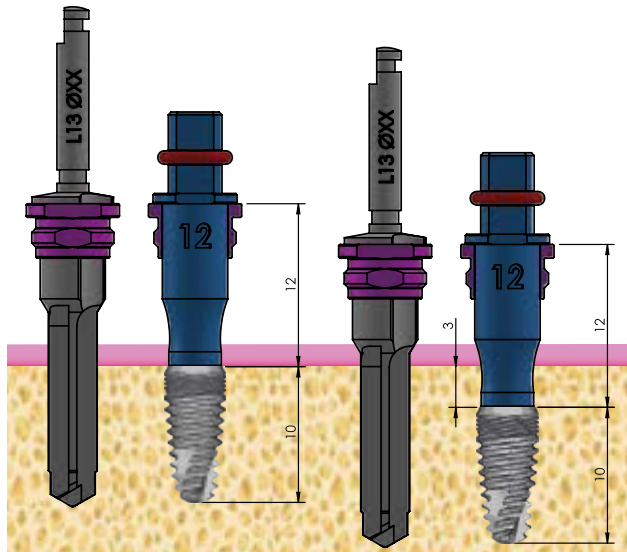
IMPLANT LENGTH 10 mm



Implant Length (mm)	Mounter (mm)	Depth (mm)	Drill Length (mm)
10	9	0	10



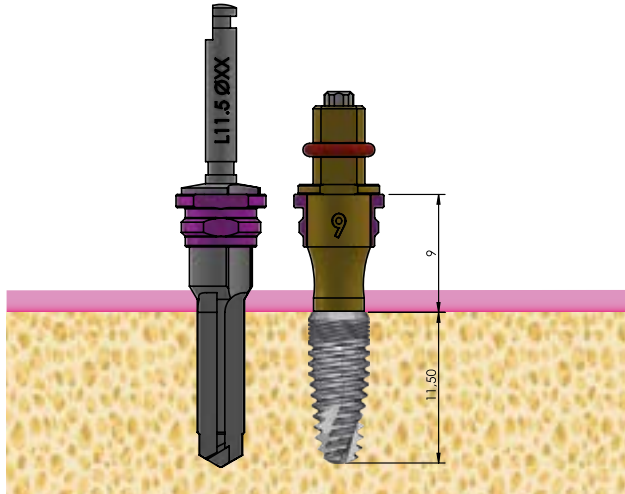
Implant Length (mm)	Mounter (mm)	Depth (mm)	Drill Length (mm)
10	10.5	0 - 1.5	11.5



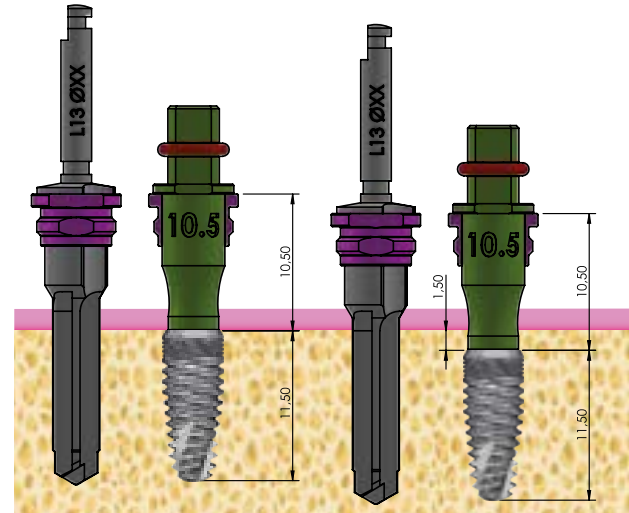
Implant Length (mm)	Mounter (mm)	Depth (mm)	Drill Length (mm)
10	12	0 - 3	13

Ø XX = Ø Drill

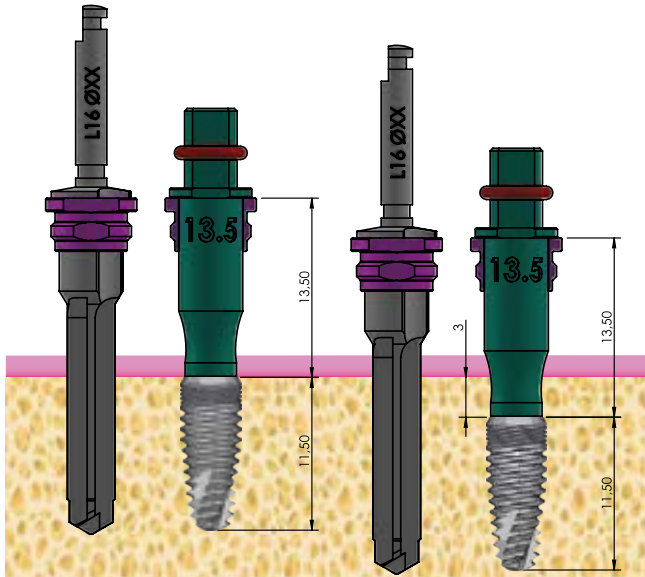
IMPLANT LENGTH 11.5 mm



Implant Length (mm)	Mouter (mm)	Depth (mm)	Drill Length (mm)
11.5	9	0	11.5



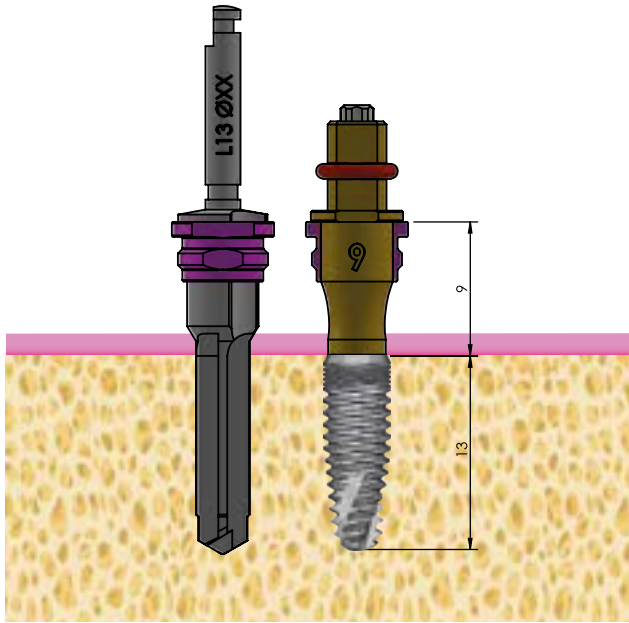
Implant Length (mm)	Mouter (mm)	Depth (mm)	Drill Length (mm)
11.5	10.5	0 - 1.5	13



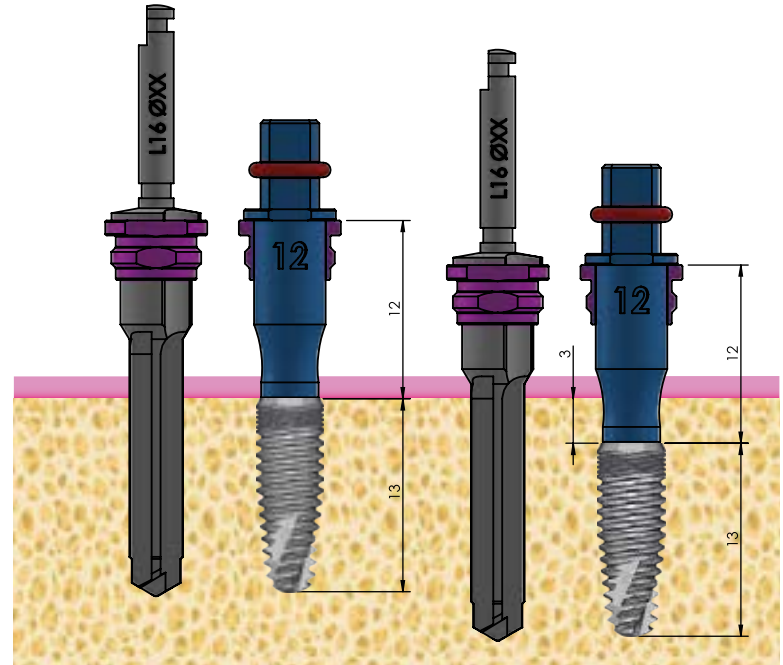
Implant Length (mm)	Mouter (mm)	Depth (mm)	Drill Length (mm)
11.5	13.5	0 - 3	16

$\text{Ø XX} = \text{Ø Drill}$

IMPLANT LENGTH 13 mm



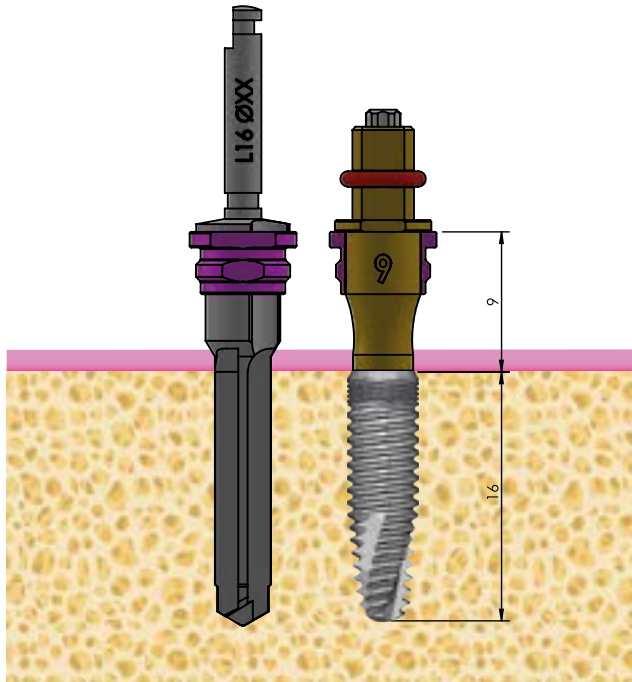
Implant Length (mm)	Moulder (mm)	Depth (mm)	Drill Length (mm)
13	9	0	13



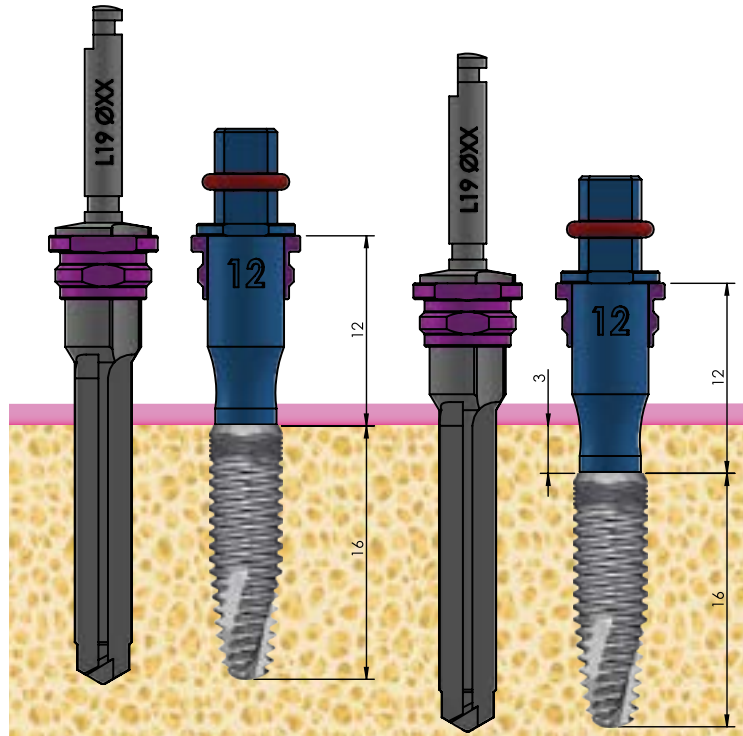
Implant Length (mm)	Moulder (mm)	Depth (mm)	Drill Length (mm)
13	12	0 - 3	16

∅ XX = ∅ Drill

IMPLANT LENGTH 16 mm

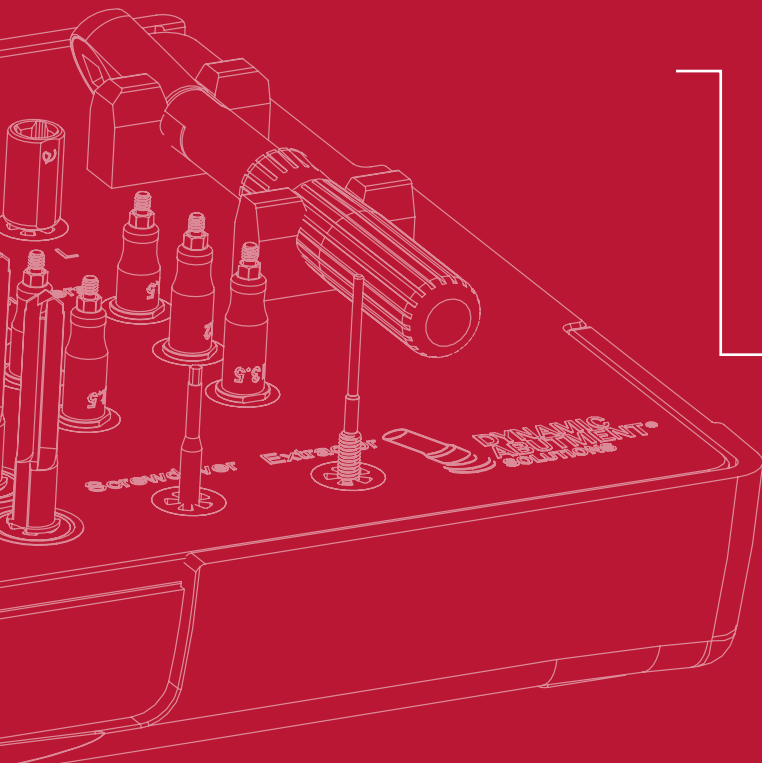


Implant Length (mm)	Mounter (mm)	Depth (mm)	Drill Length (mm)
16	9	0	16



Implant Length (mm)	Mounter (mm)	Depth (mm)	Drill Length (mm)
16	12	0 - 3	19

Ø XX = Ø Drill



Virginia Woolf, 17
25005 · Lleida (Spain)

INTERNATIONAL +34 873 450 709
das@dynamicabutment.com

SPAIN +34 973 289 580
spain@dynamicabutment.com



@dynamicabutmentsolutions